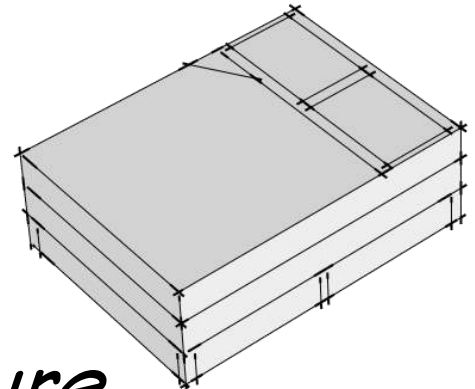
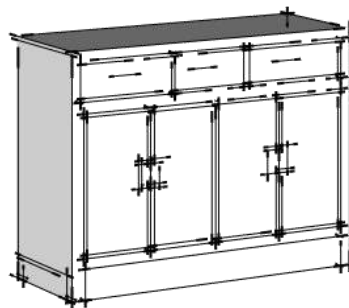
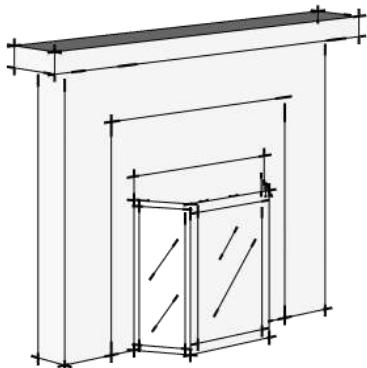
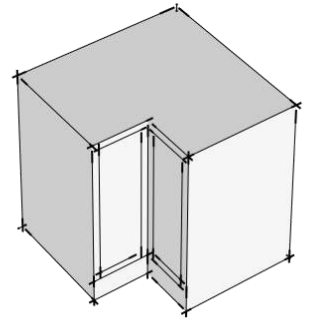
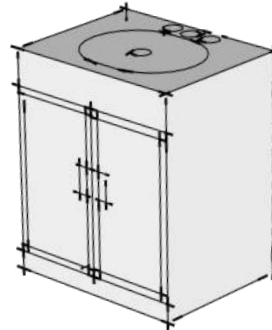
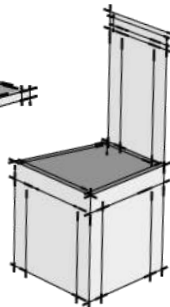
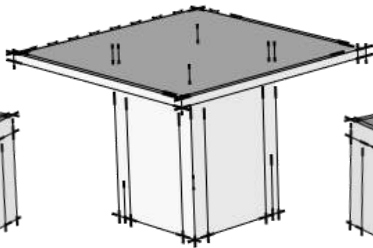
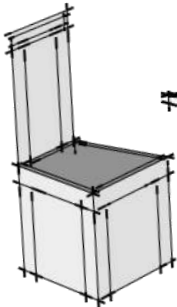
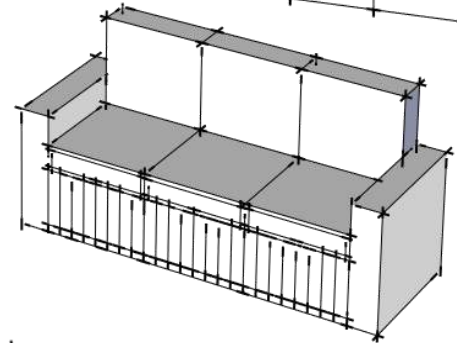
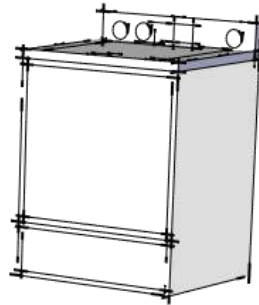
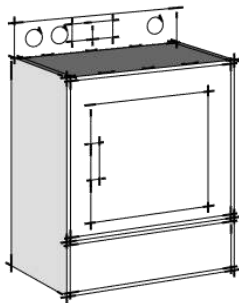
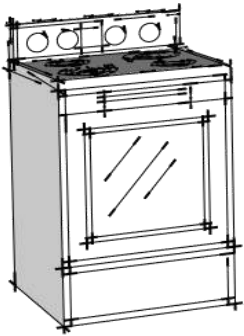
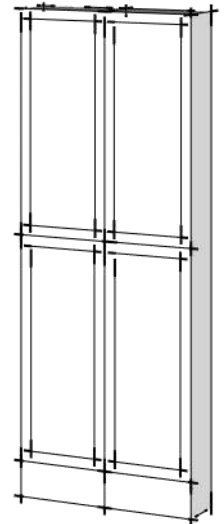
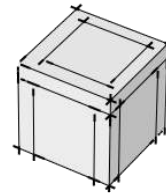
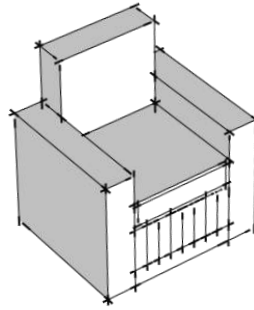


BUILD A SET

The time saving tool for set designers of white card models.
No drawing or measuring. Just print, cut & paste
pre-scaled 1/2":1'-0" PDF template components.

- Living room
- Dining room
- Beds
- Bathroom
- Kitchen cabinets & sinks
- Appliances



Part 4 Scaled Furniture

Part 4

Furniture

Table of Contents

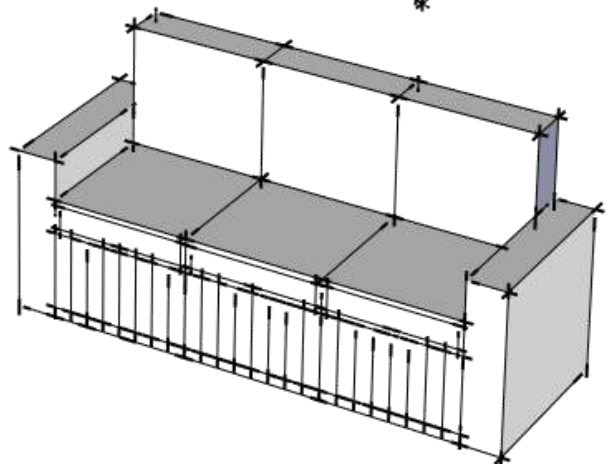
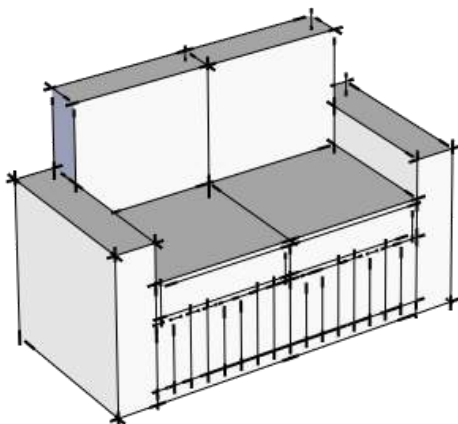
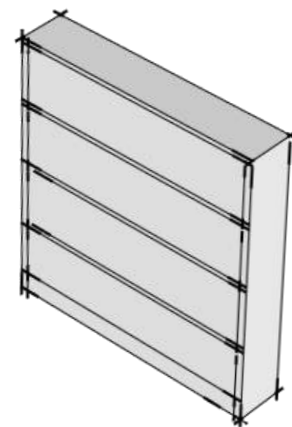
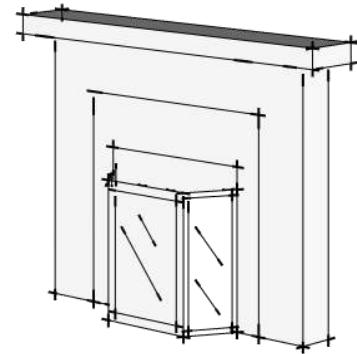
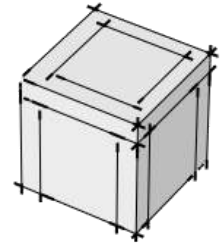
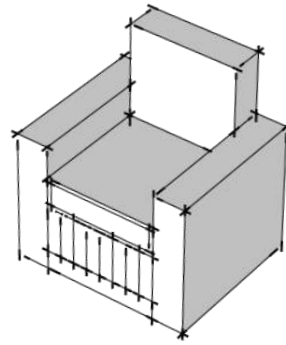
Chapters

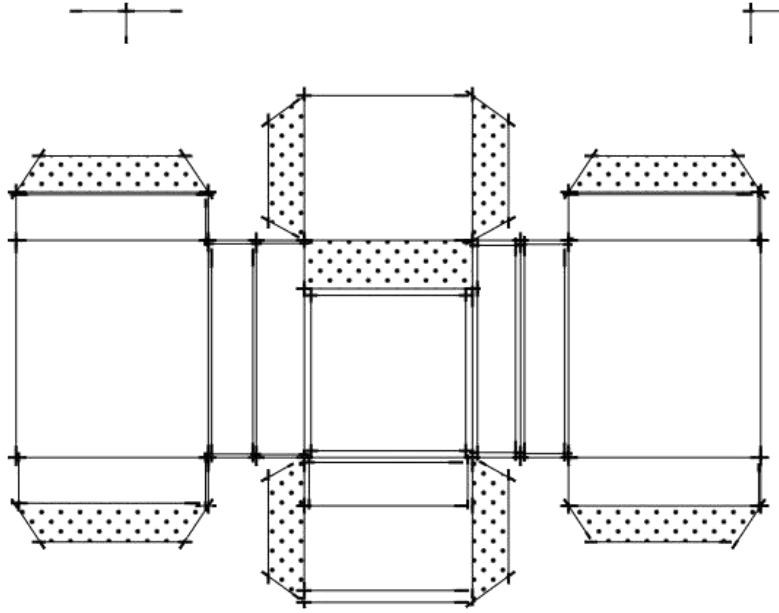
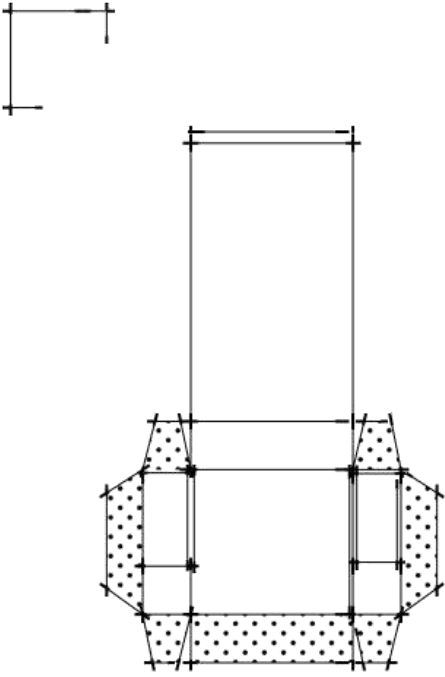
1. [Living room](#)
2. [Dining room](#)
3. [Beds](#)
4. [Bathroom](#)
5. [Kitchen base cabinets counters & sinks](#)
6. [Kitchen upper cabinets & pantries](#)
7. [Appliances](#)

Chapter 1

Living Room

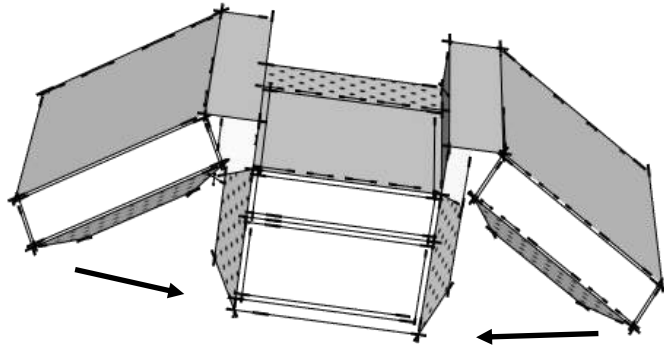
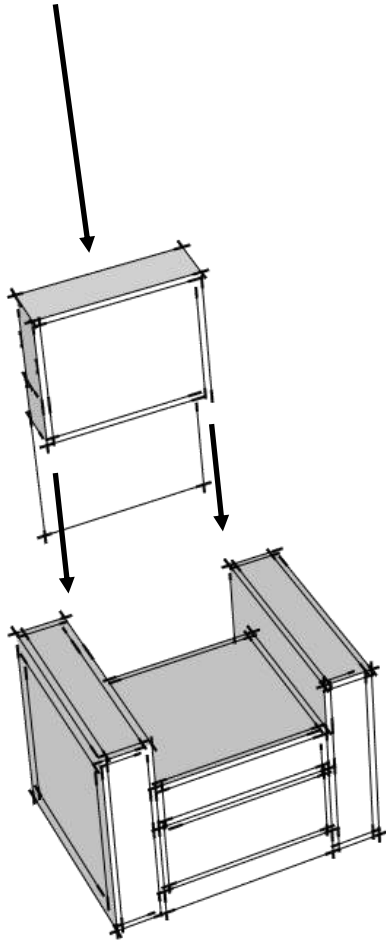
1. [Armchair](#)
2. [2 seater sofa](#)
3. [3 seater sofa](#)
4. [4 seater sofa](#)
5. [End tables 18" x 18"—24"x 24"— coffee table 24" x 48"](#)
6. [Bookcase 18" & 39" wide x 39" high](#)
7. [Bookcase 18" & 39" wide x 39" high—doors](#)
8. [Bookcase 18" & 39" wide x 80" high](#)
9. [Bookcase 18" & 39" wide x 80" high—doors](#)
10. [Bookcase 18" & 39" wide x 96" high](#)
11. [Bookcase 18" & 39" wide x 96" high —doors](#)
12. [Fireplace & screen 36 x 60"](#)
13. [Fireplace & screen 48 x 60"](#)
14. [Fireplace & screen 60 x 60"](#)
15. [Fireplace & screen 60 x 72"](#)



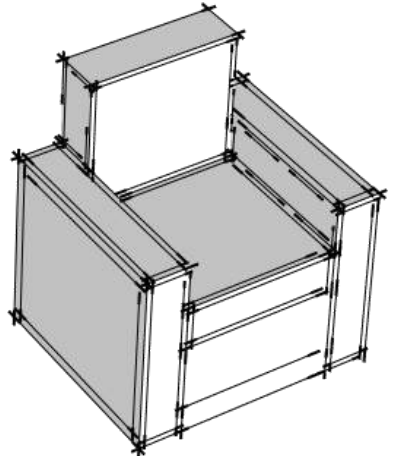


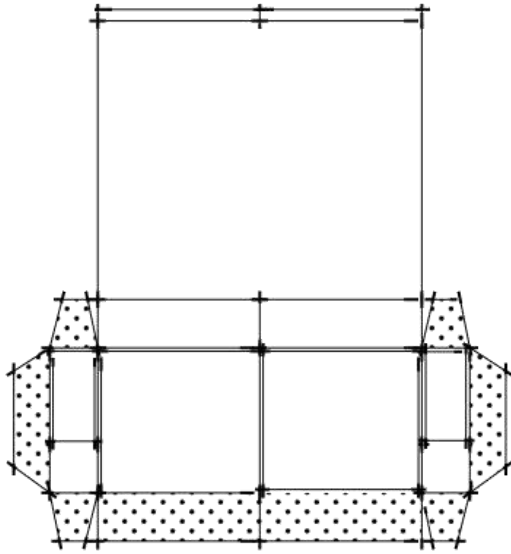
back

front

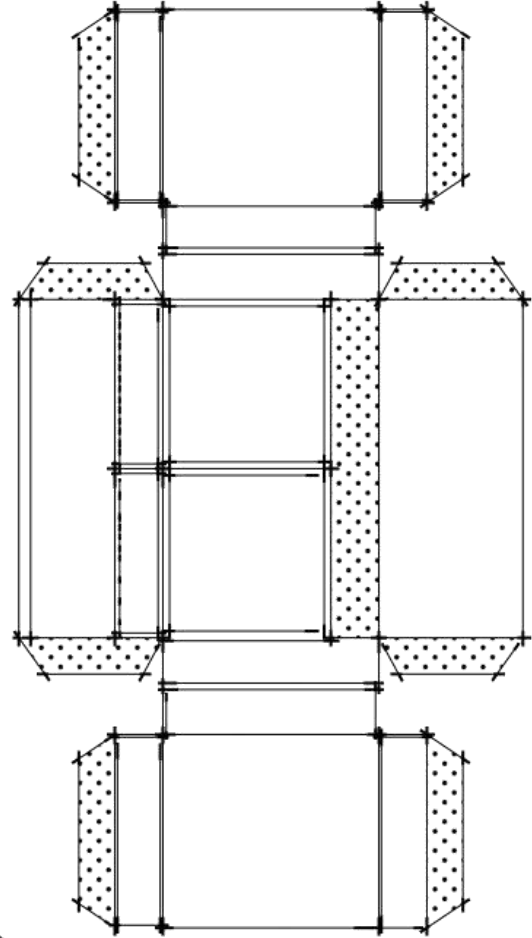


front

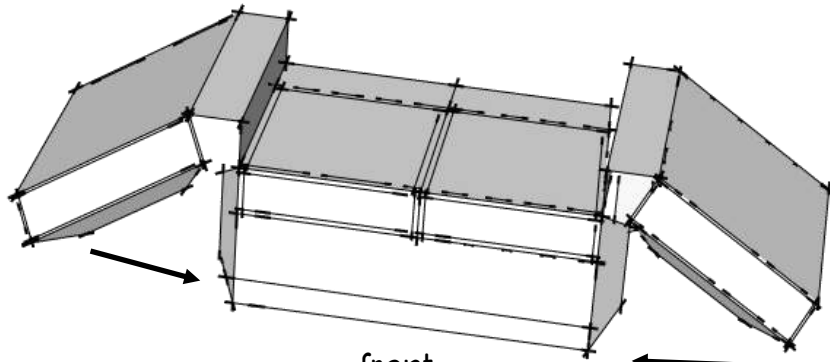




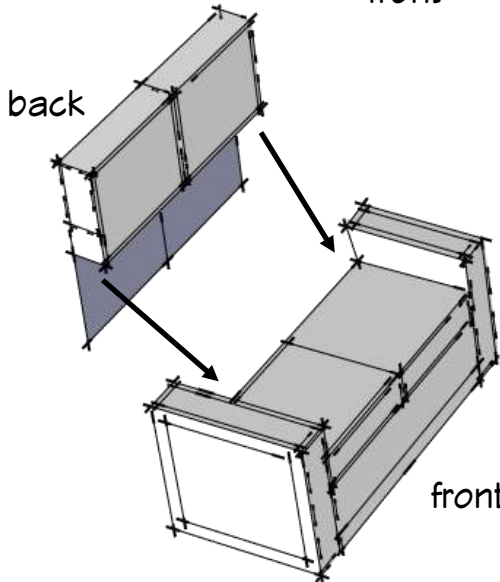
back



front

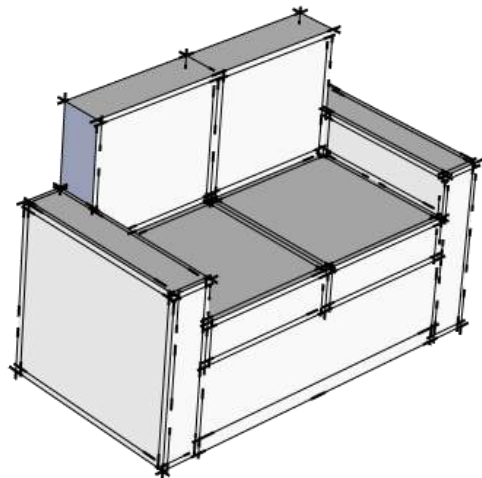


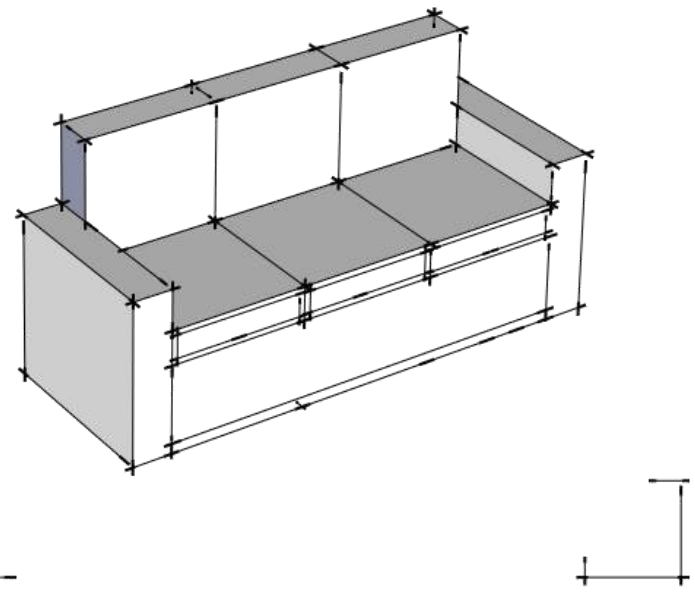
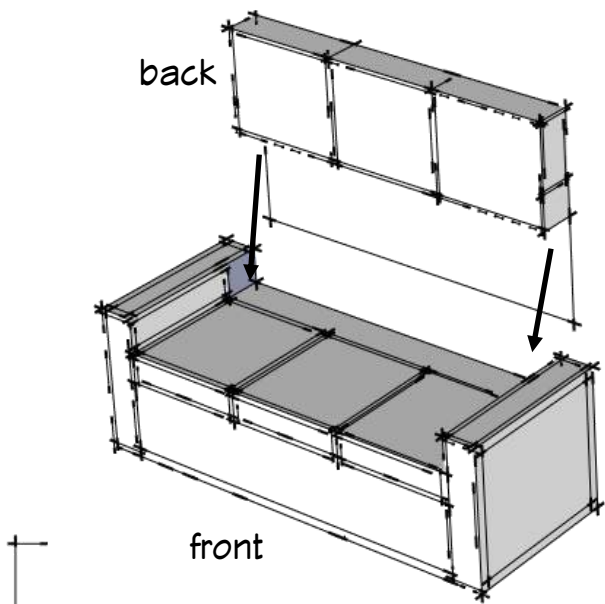
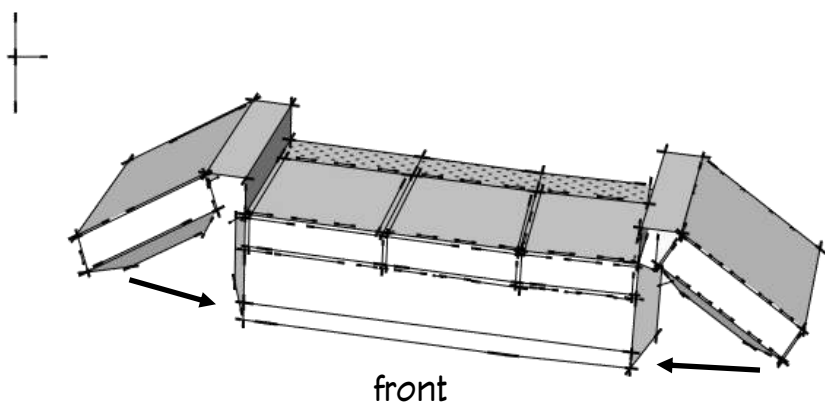
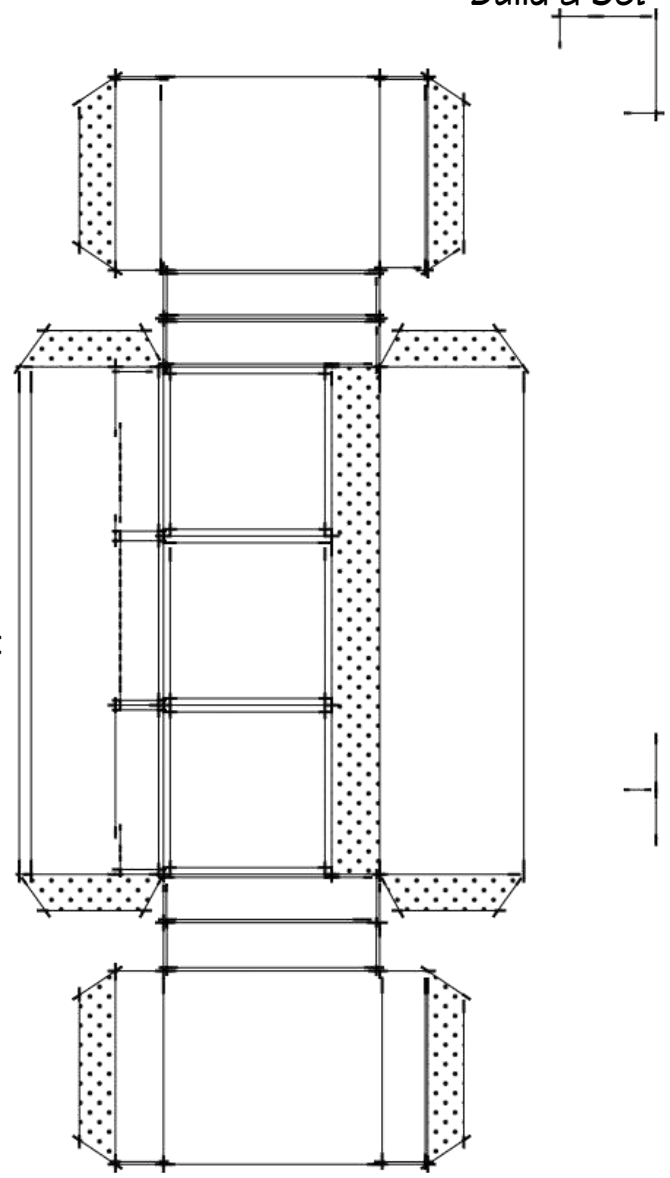
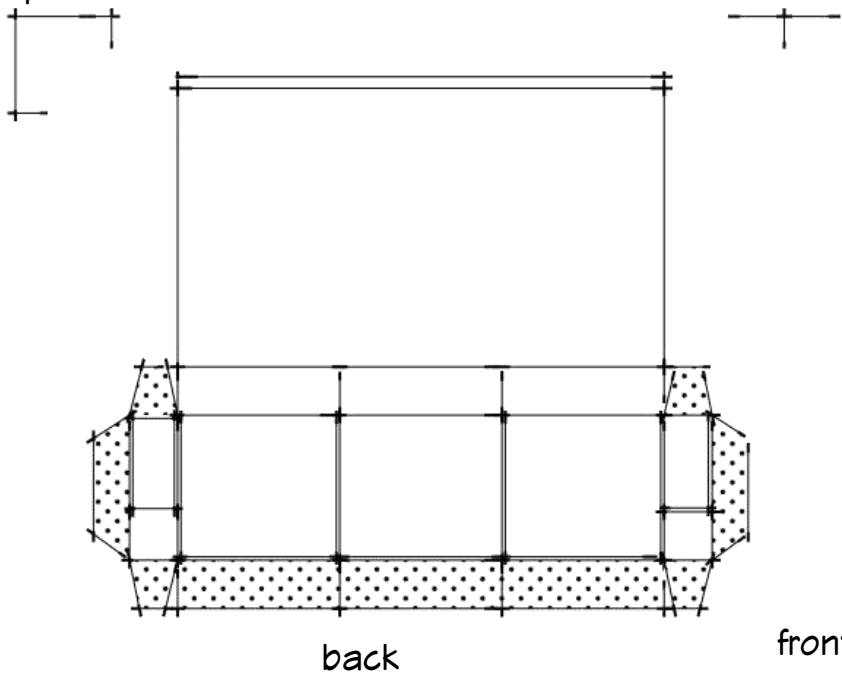
front

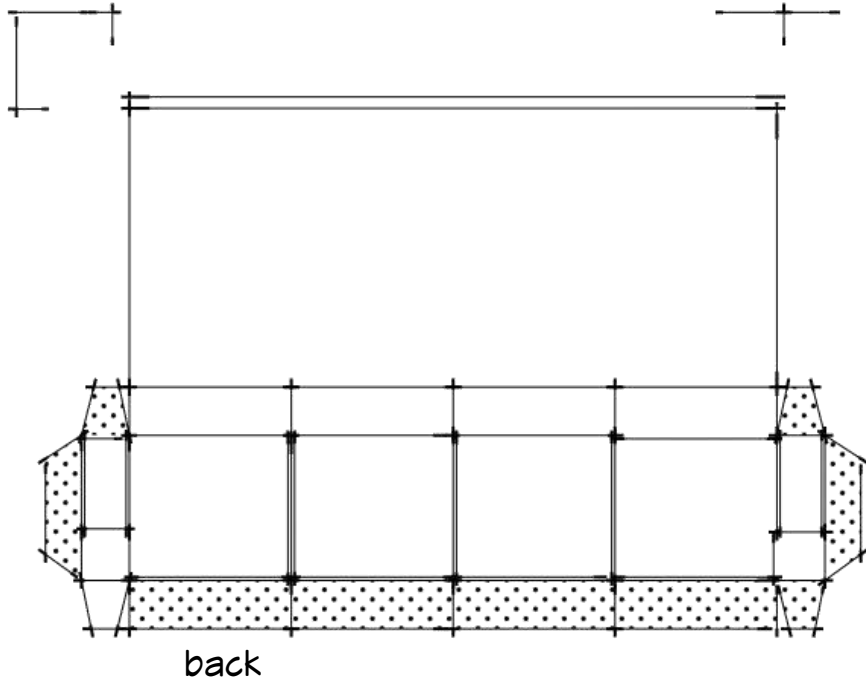


back

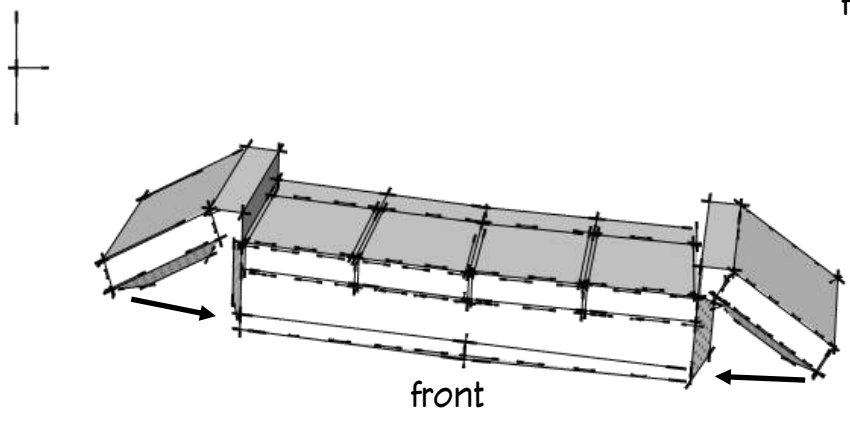
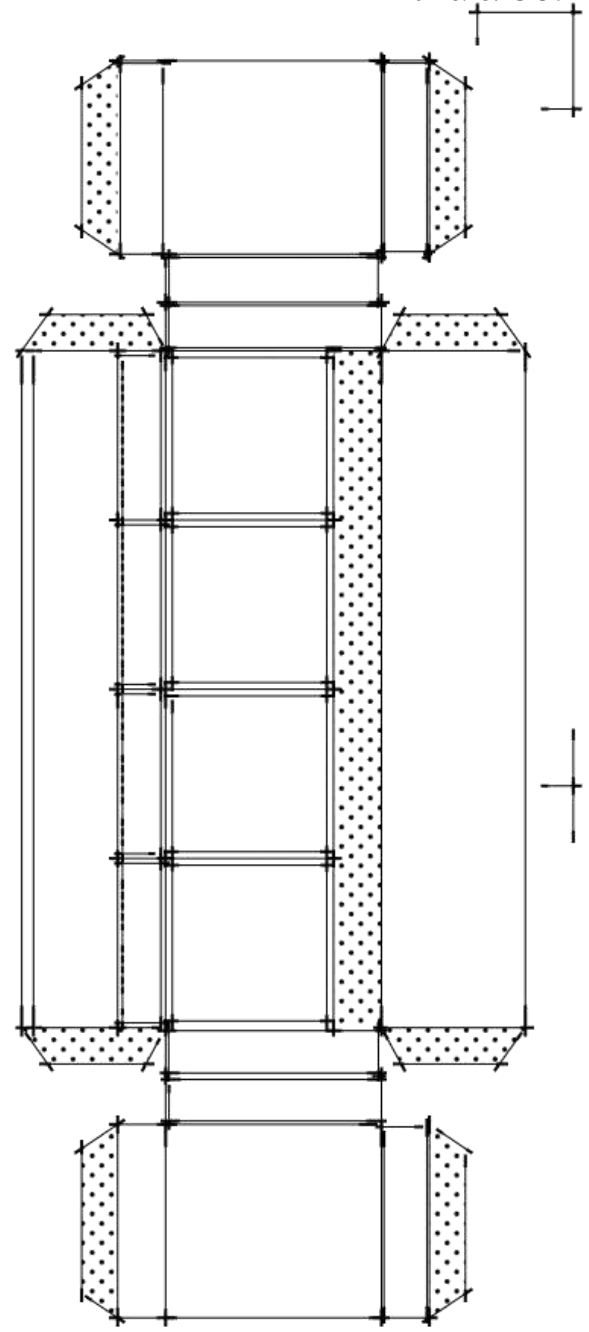
front



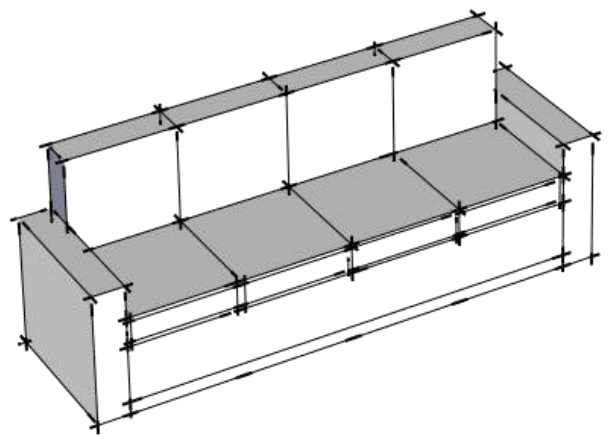
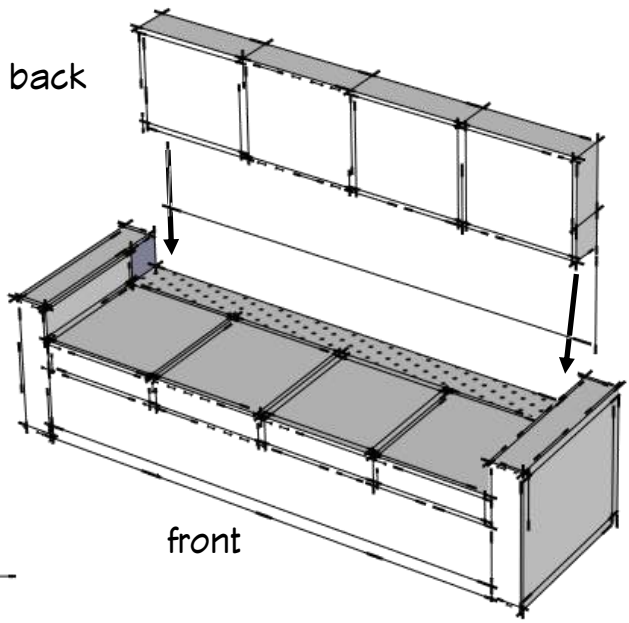


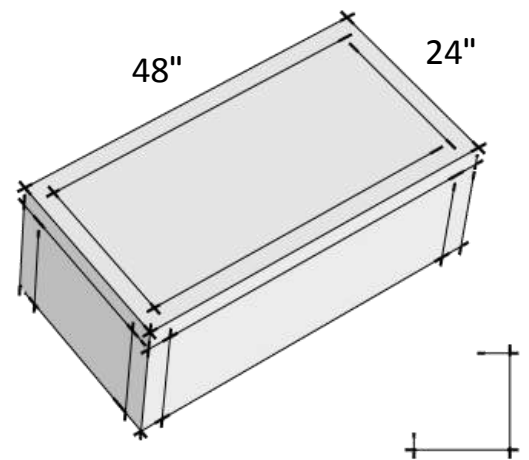
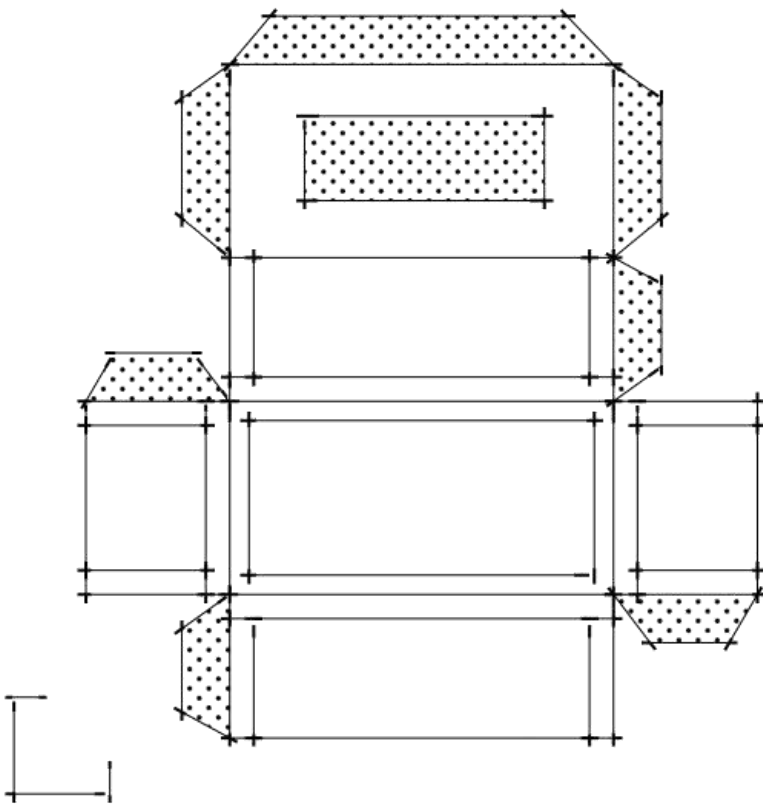
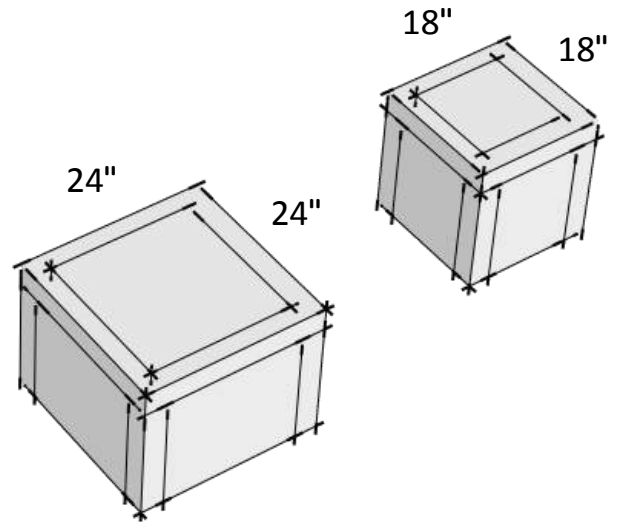
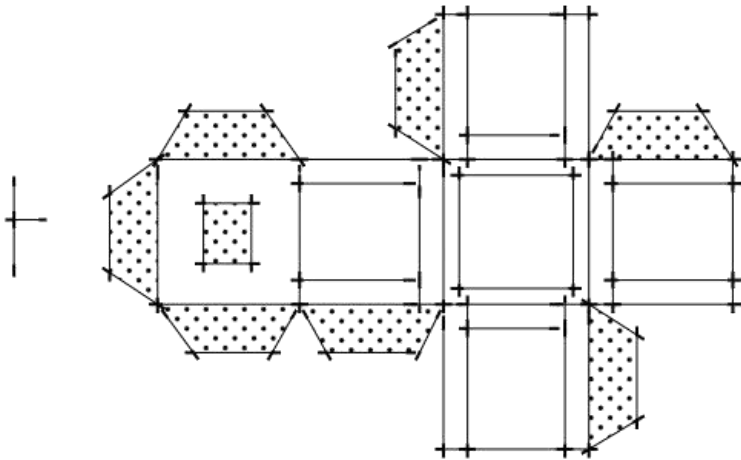
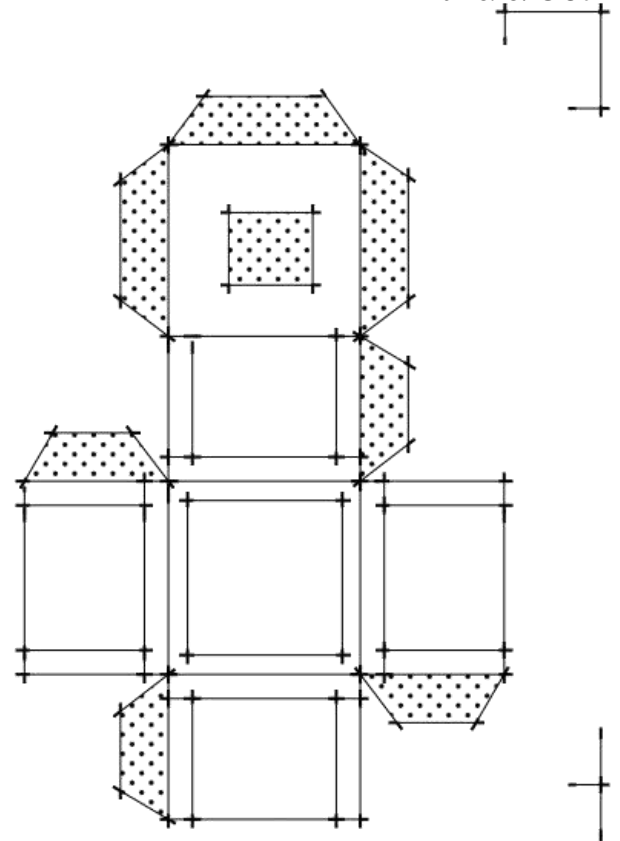
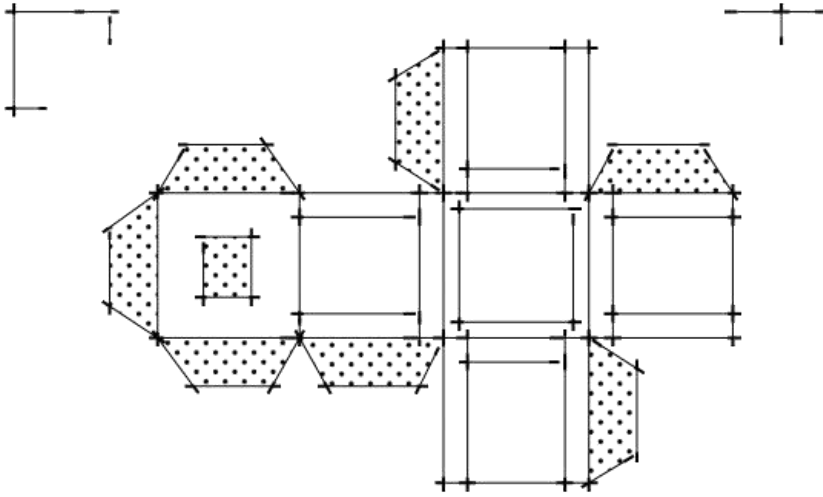


front

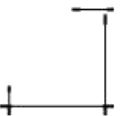
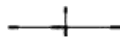
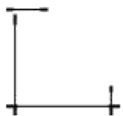
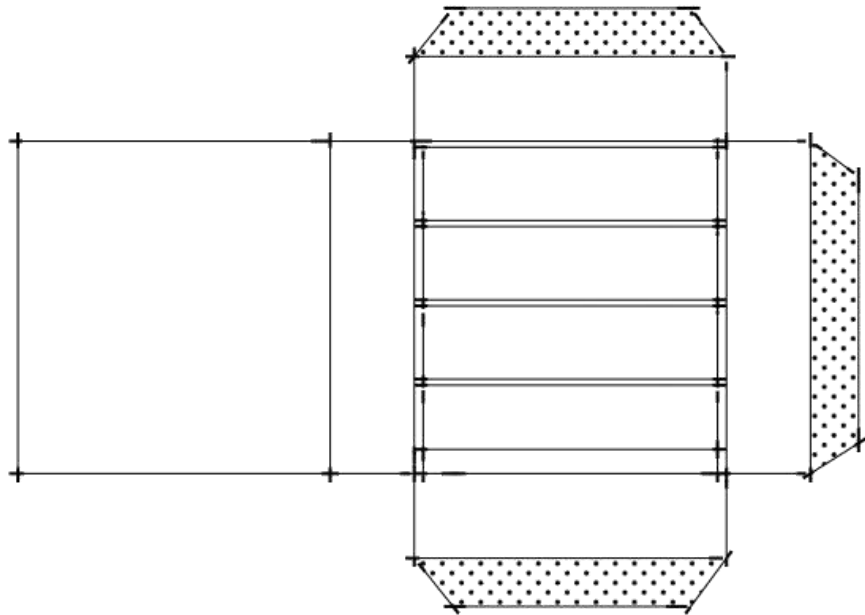
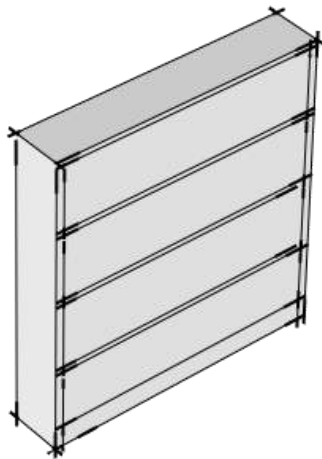
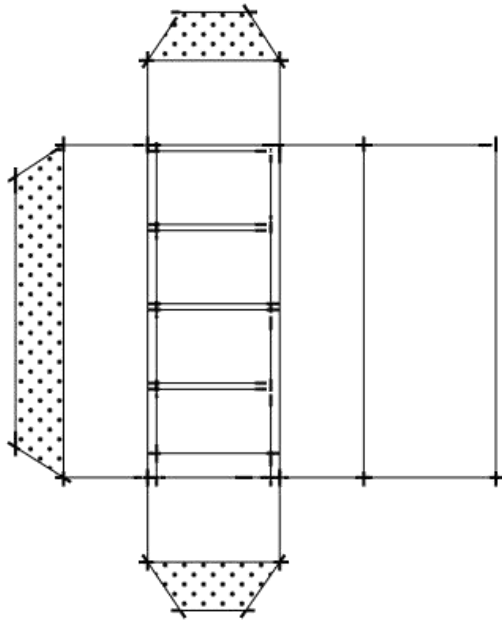
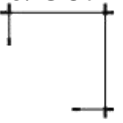


back

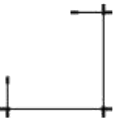
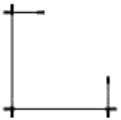
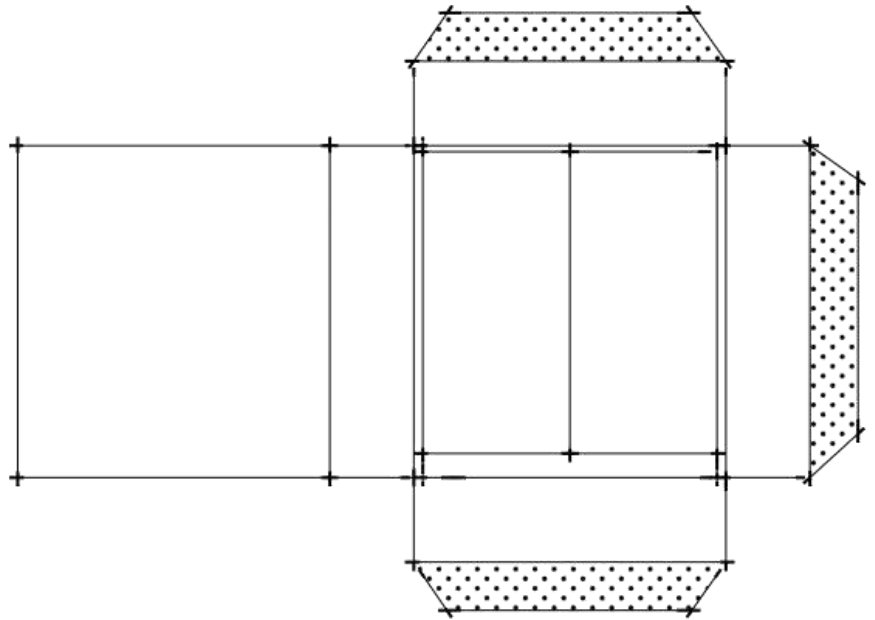
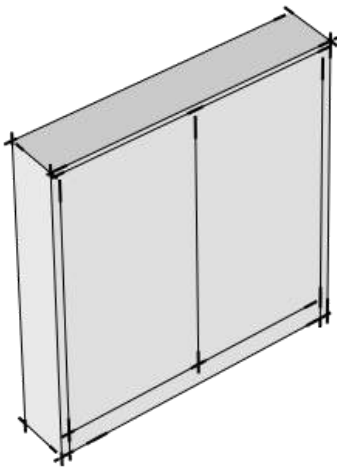
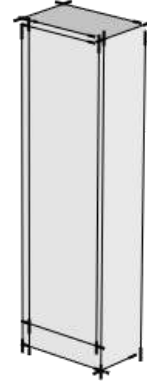
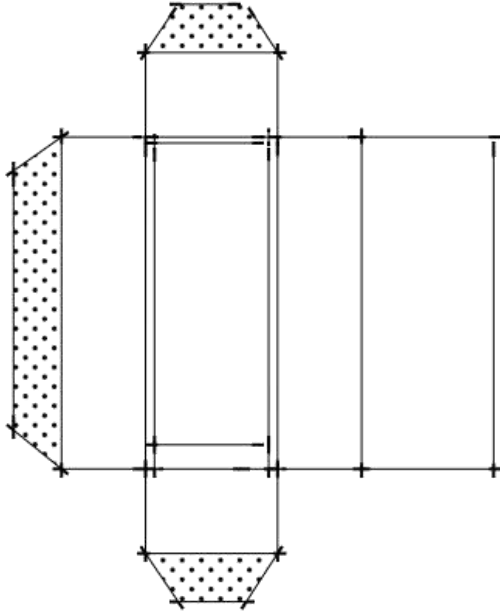
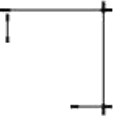
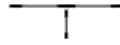
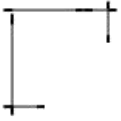




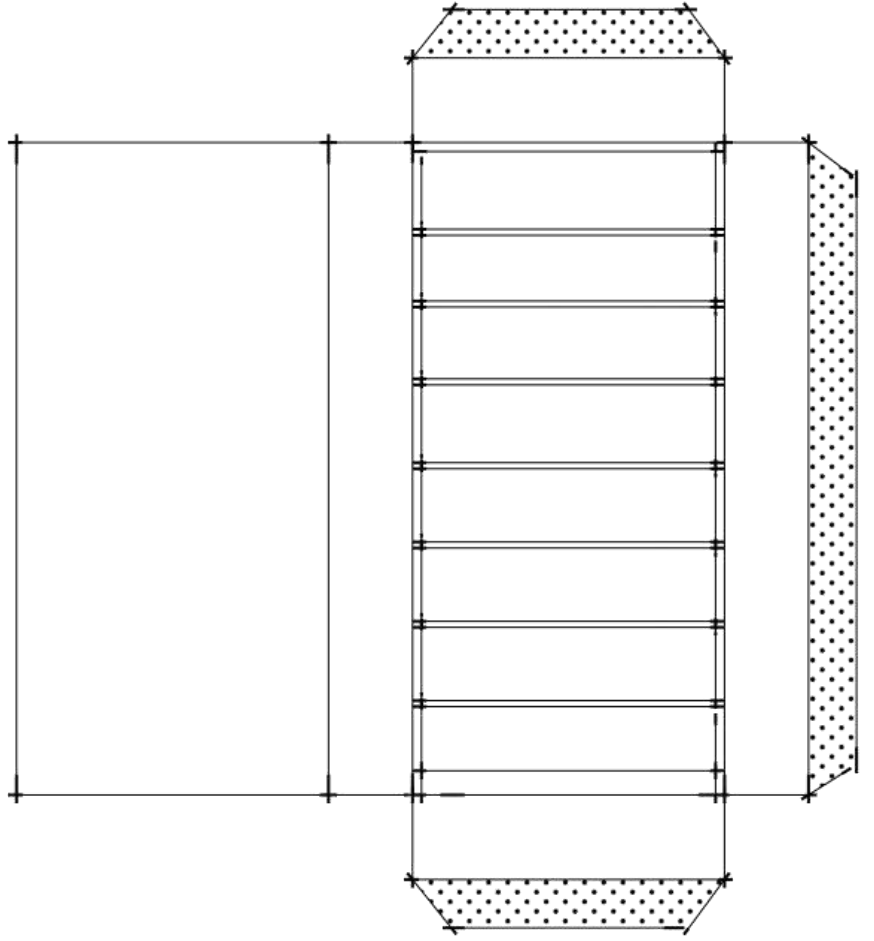
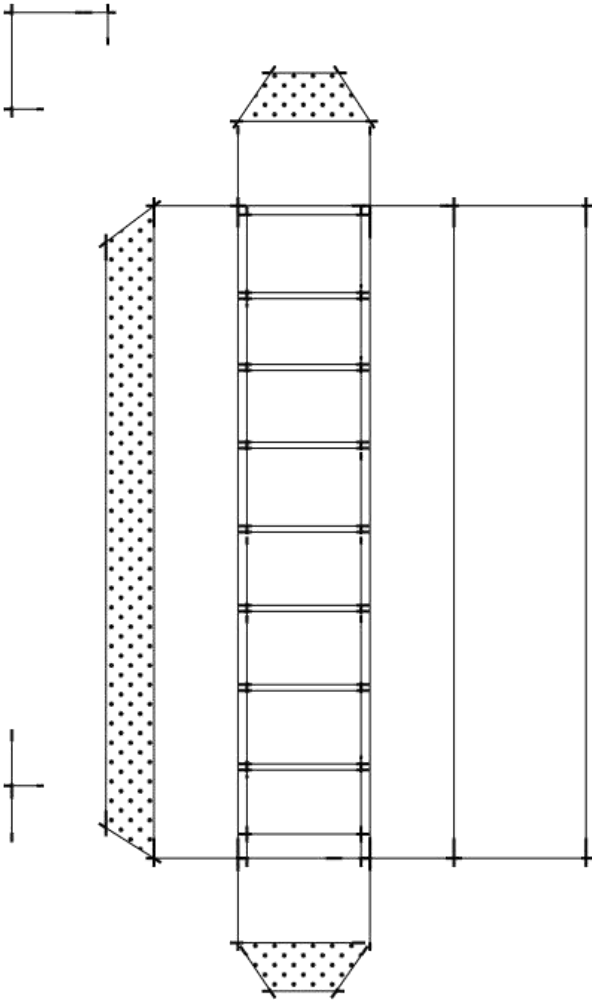
end tables 18" x 18"—24" x 24"—coffee table 24" x 48"



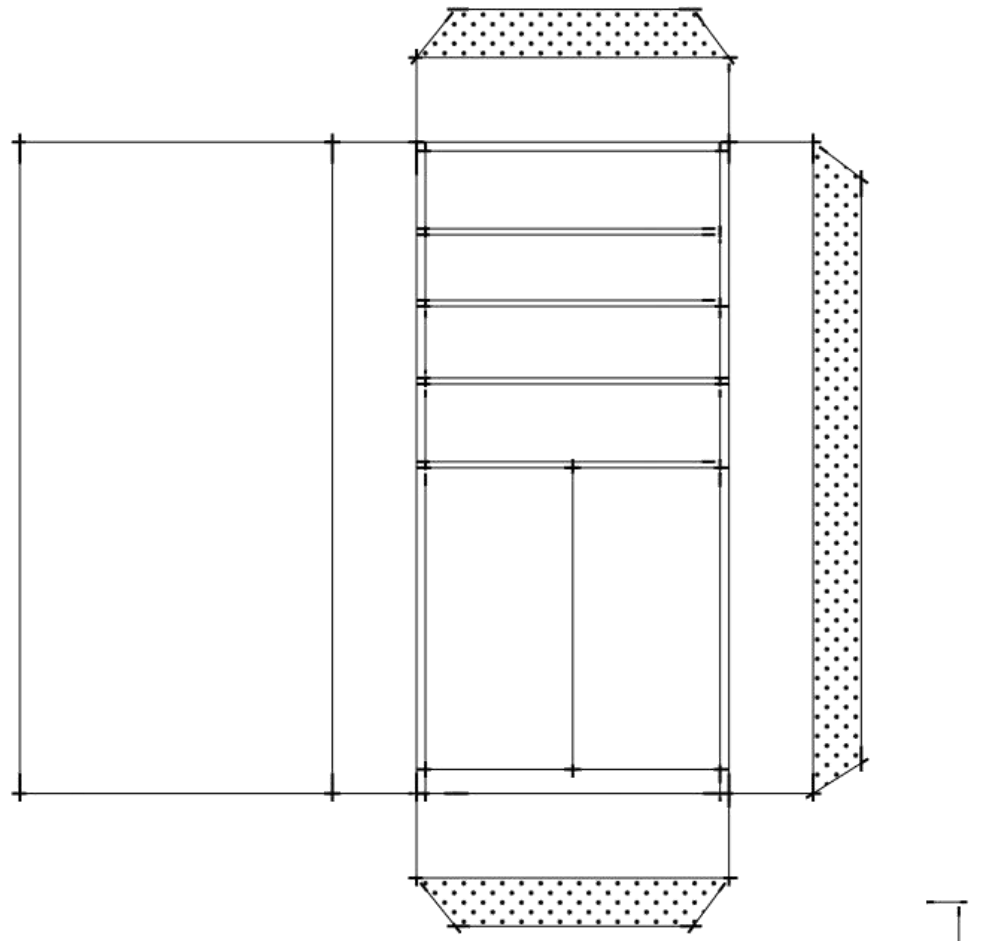
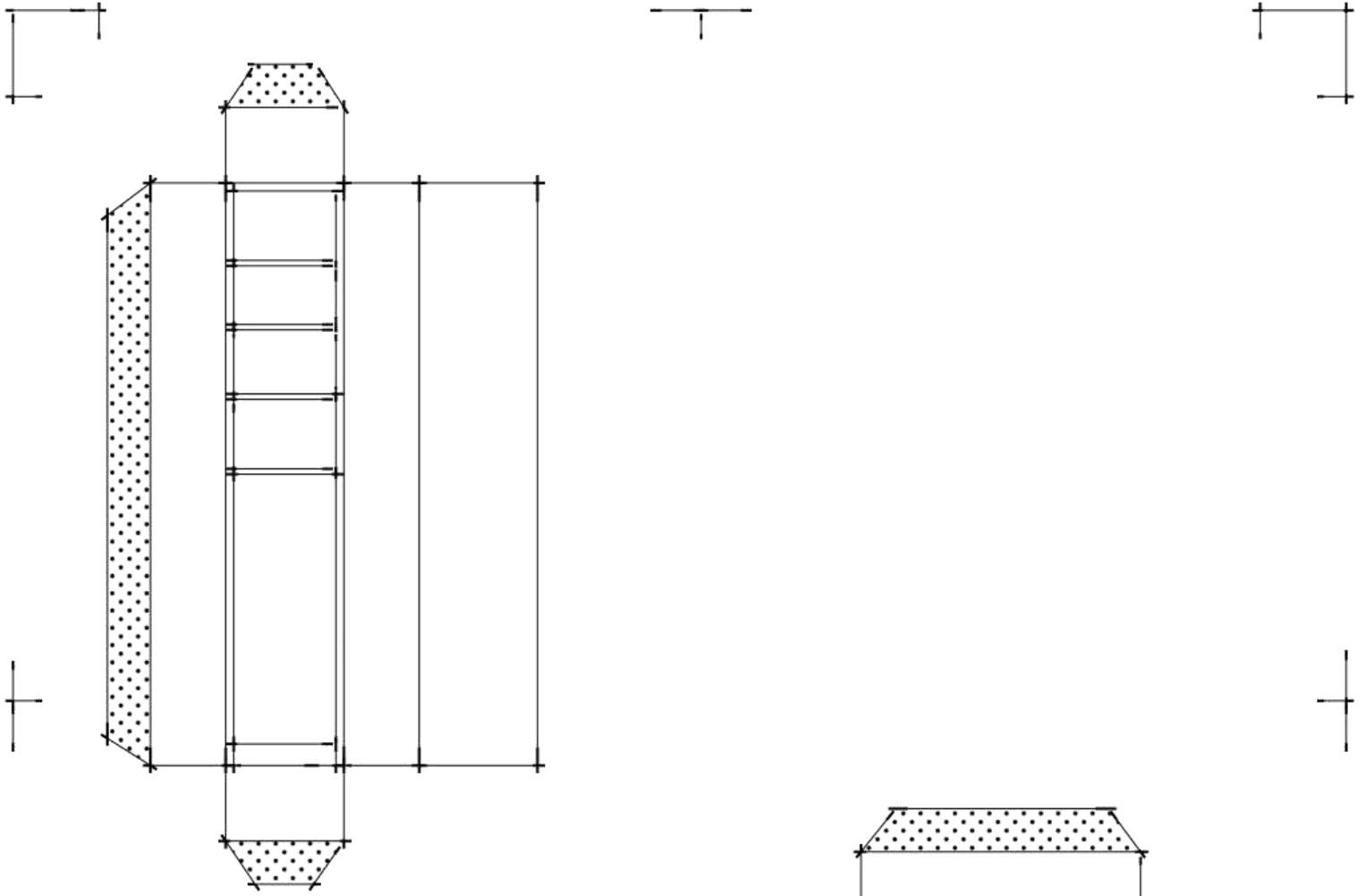
bookcase 18" & 39" wide x 39" high



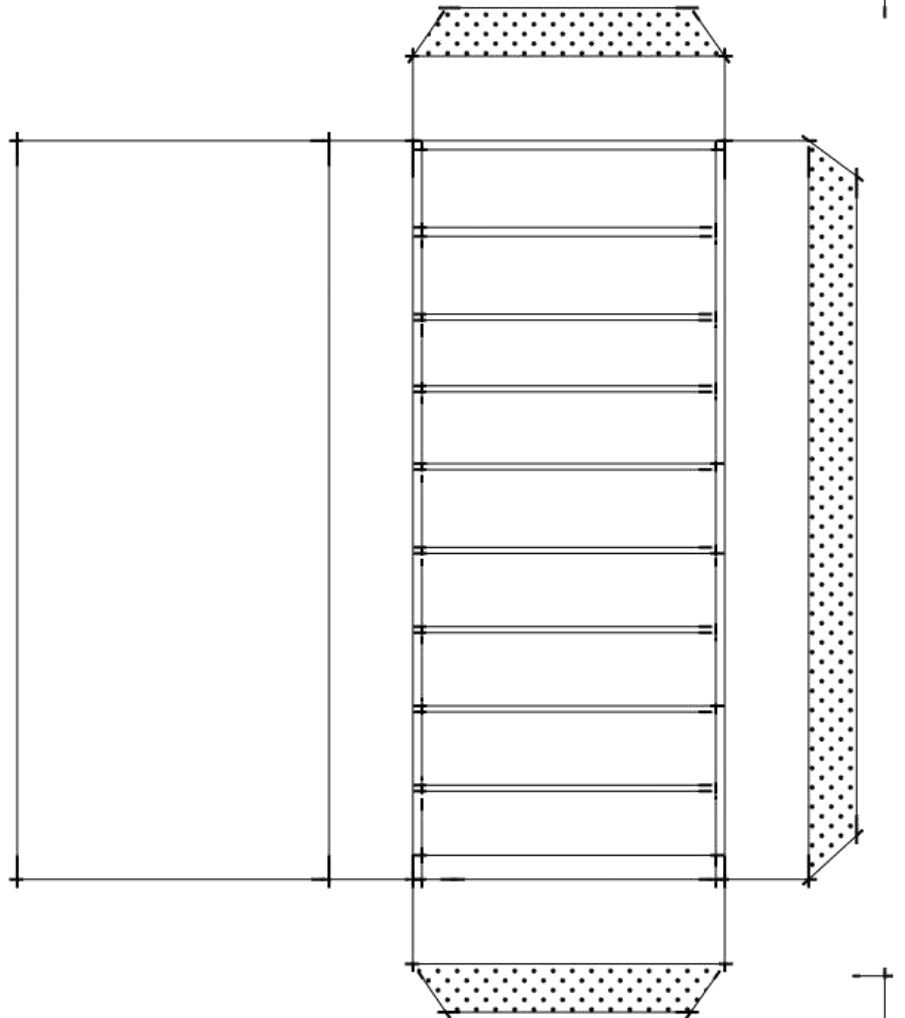
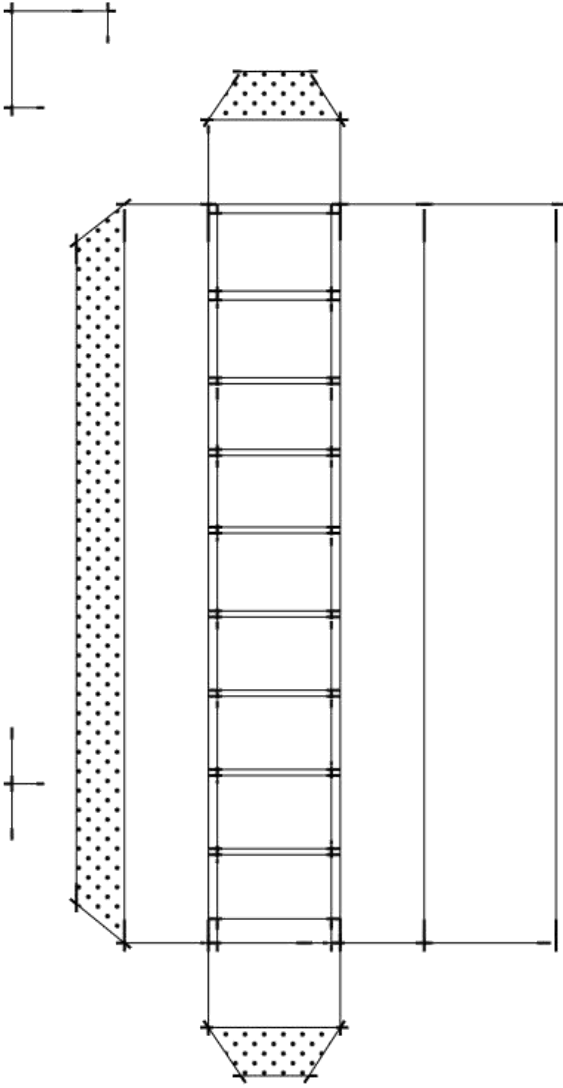
bookcase 18" & 39" wide x 39" high—doors



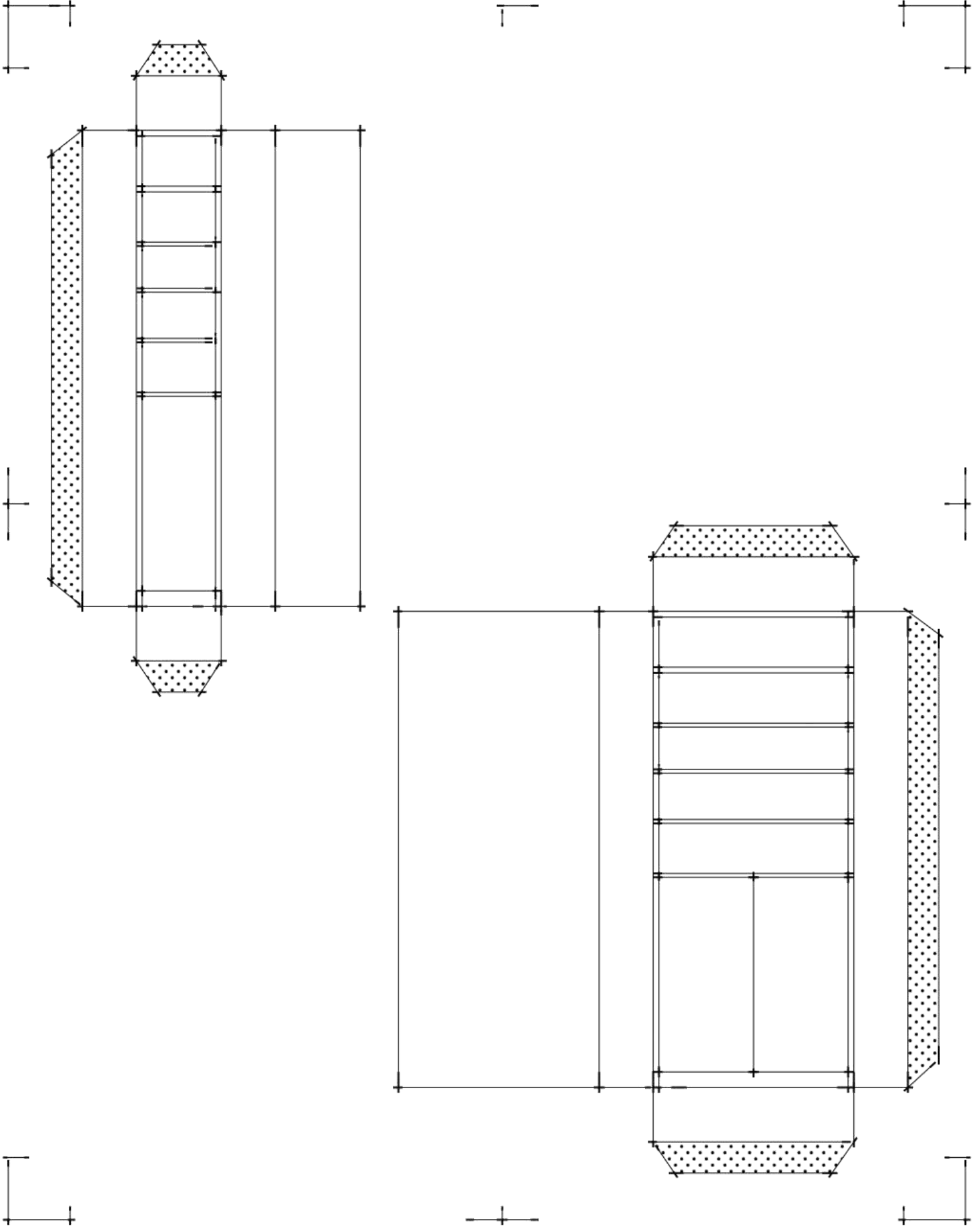
bookcase 18" & 39" wide x 80" high



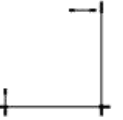
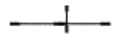
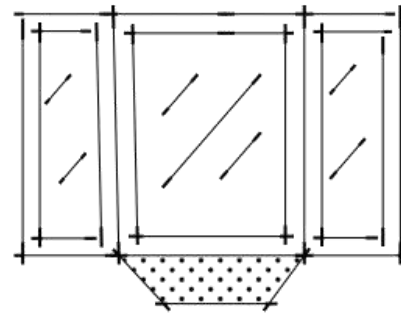
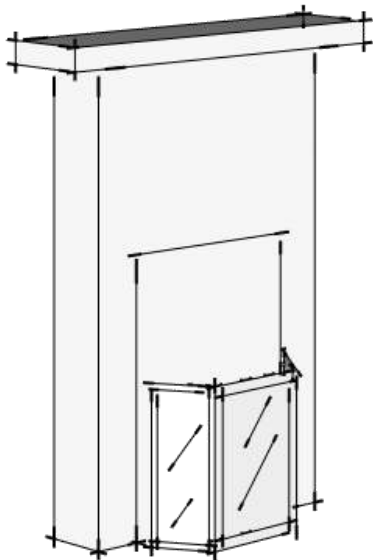
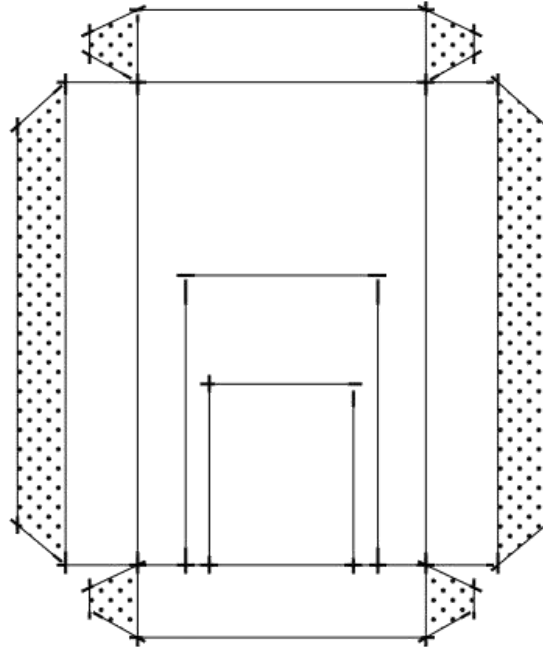
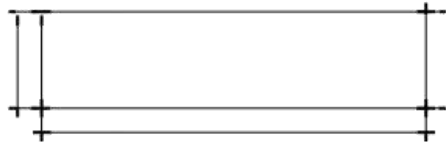
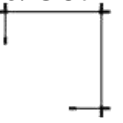
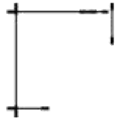
bookcase 18" & 39" wide x 80" high—doors



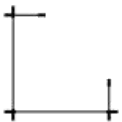
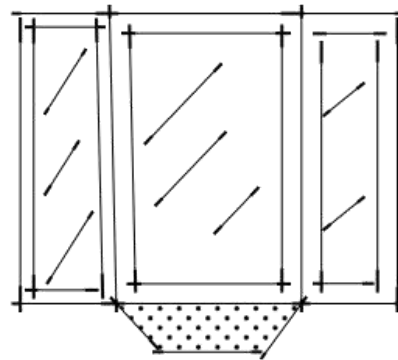
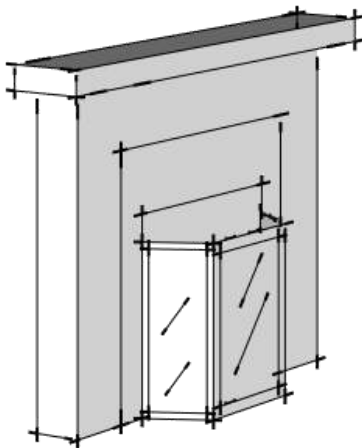
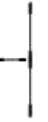
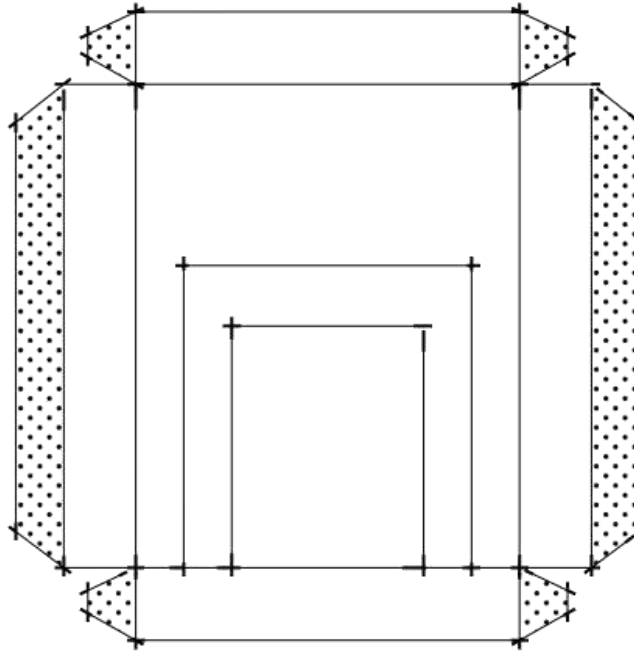
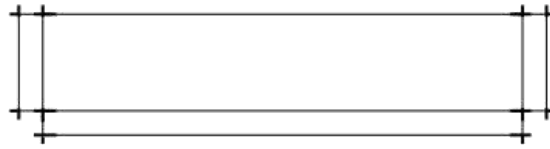
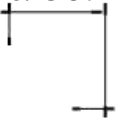
bookcase 18" & 39" wide x 96" high



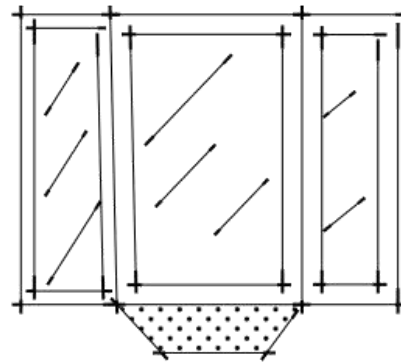
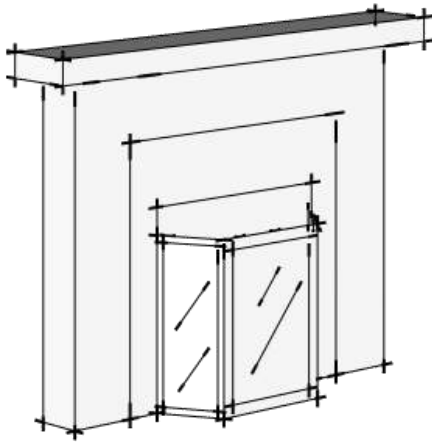
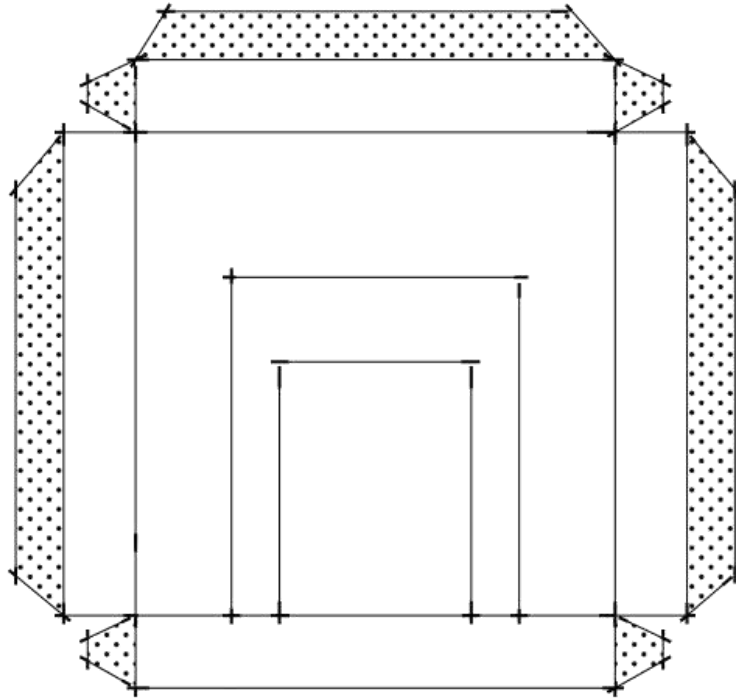
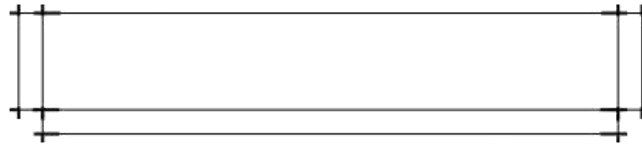
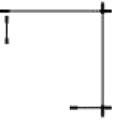
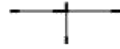
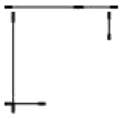
bookcases 18" & 39" wide x 96" high—doors

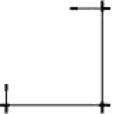
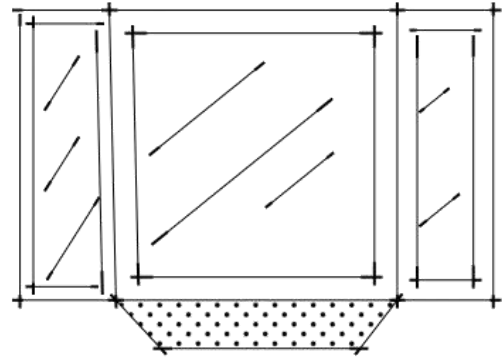
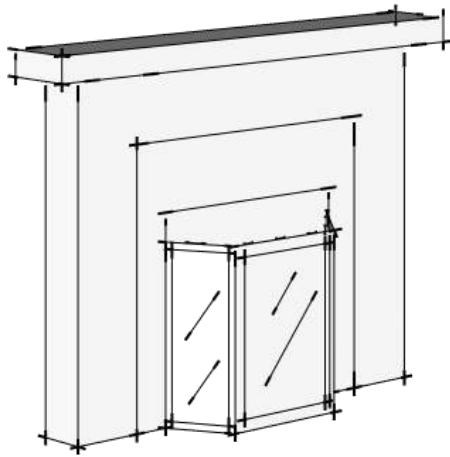
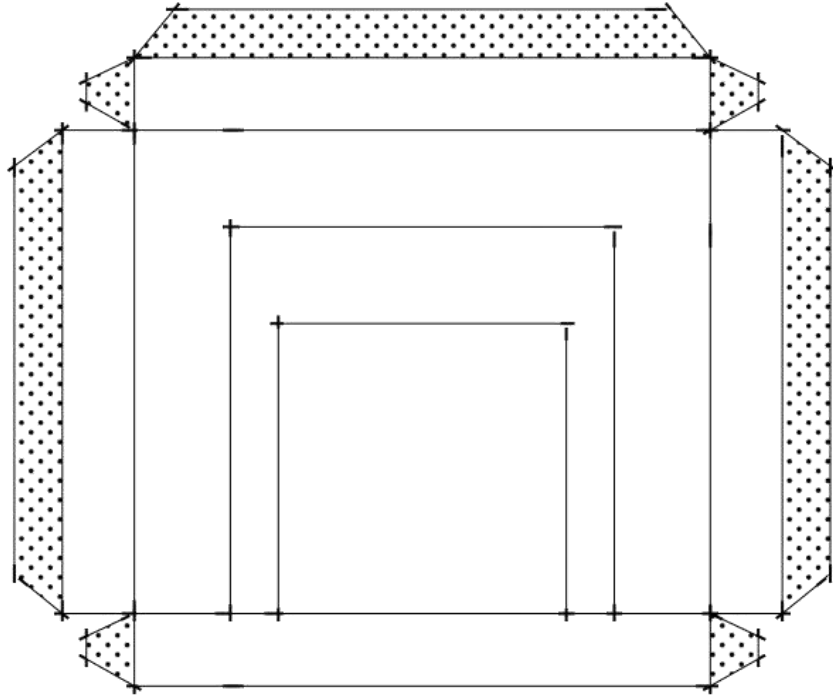
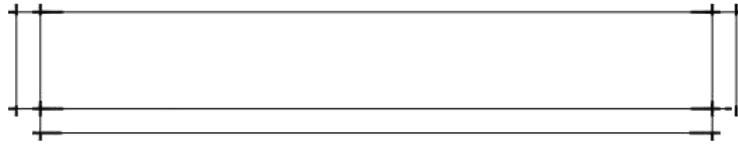
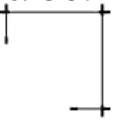


fireplace and screen 36" x 60"



fireplace and screen 48" x 60"

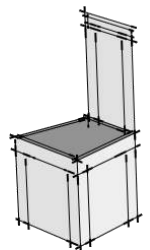
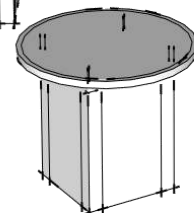
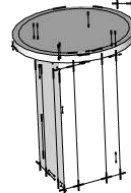
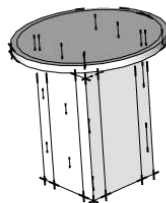
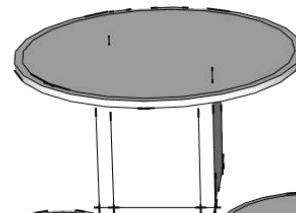
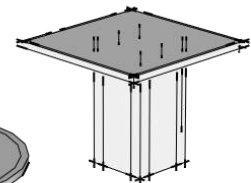
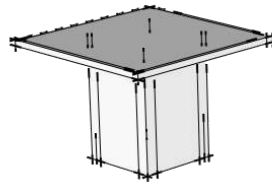
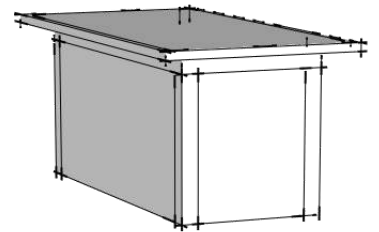
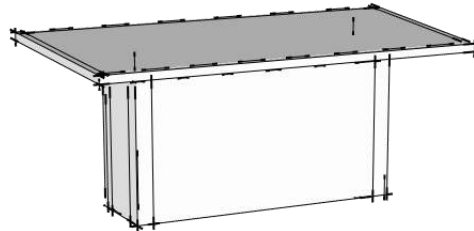
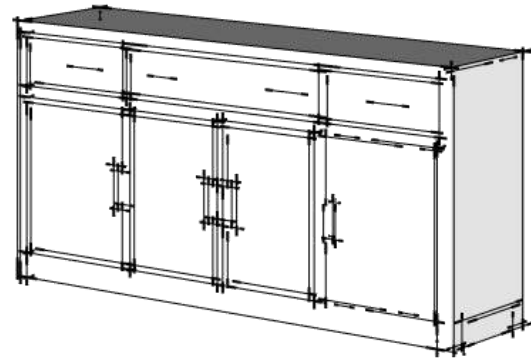
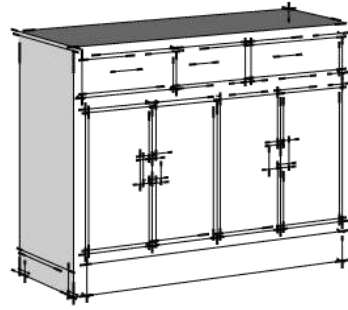


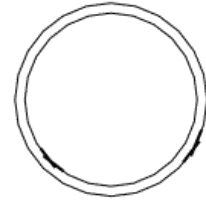
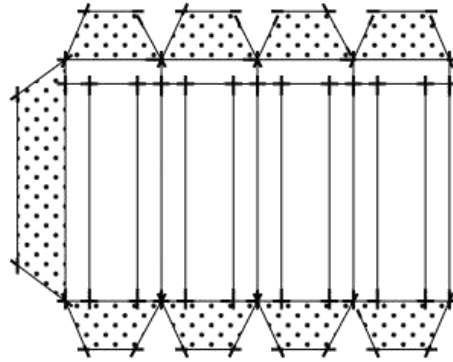
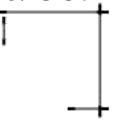
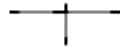
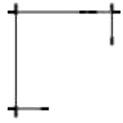


Chapters 2

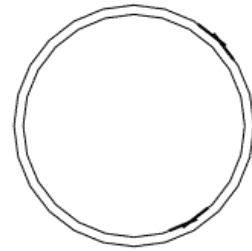
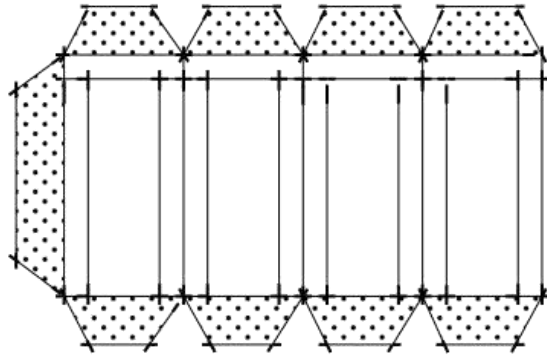
Dining Room

1. [Small round tables 24", 30", 36"](#)
2. [Round tables 42", 48"](#)
3. [Round tables 54", 60"](#)
4. [Round table 72"](#)
5. [Round table 96"](#)
6. [Small square tables 30", 36", 42"](#)
7. [Rectangle table 36" x 60"](#)
8. [Rectangle table 36" x 72"](#)
9. [Oval table 36" x 60"](#)
10. [Oval table 36" x 72"](#)
11. [5 x small 30" square tables](#)
12. [4 x small 36" square tables](#)
13. [6 x small 24" round tables](#)
14. [6 x small 30" round tables](#)
15. [Straight back chair assembly instructions](#)
16. [4 x straight back chairs](#)
17. [Sideboard 30" x 48"](#)
18. [Sideboard 30" x 60"](#)
19. [Sideboard 30" x 72"](#)

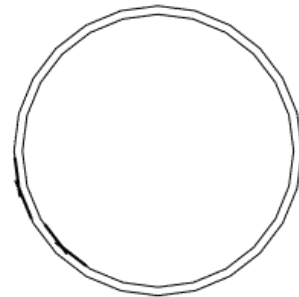
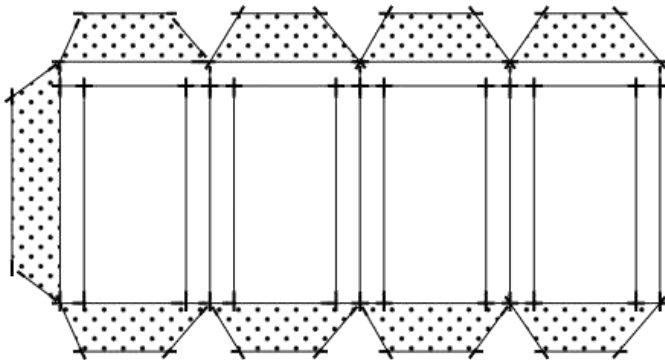




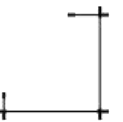
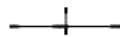
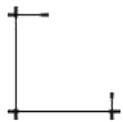
24"

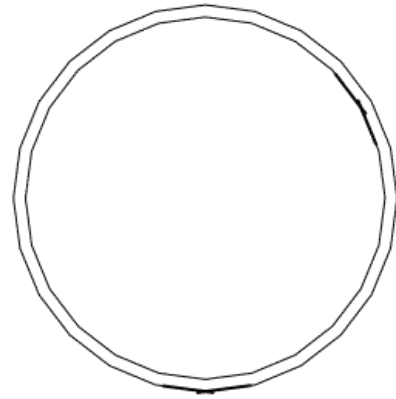
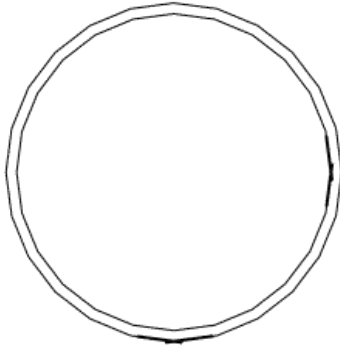
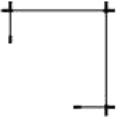
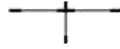


30"



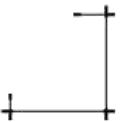
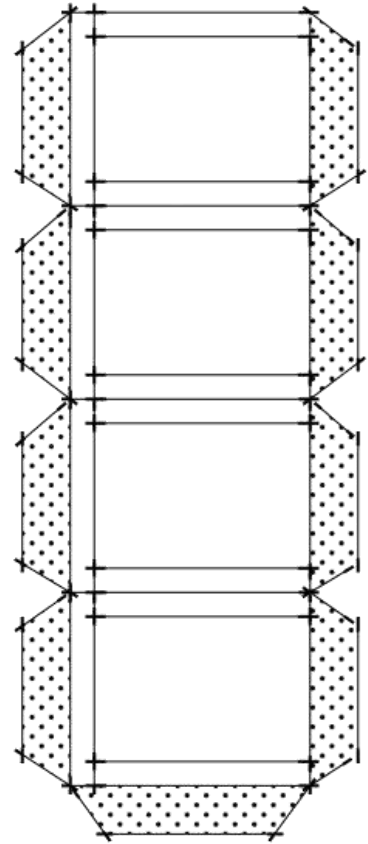
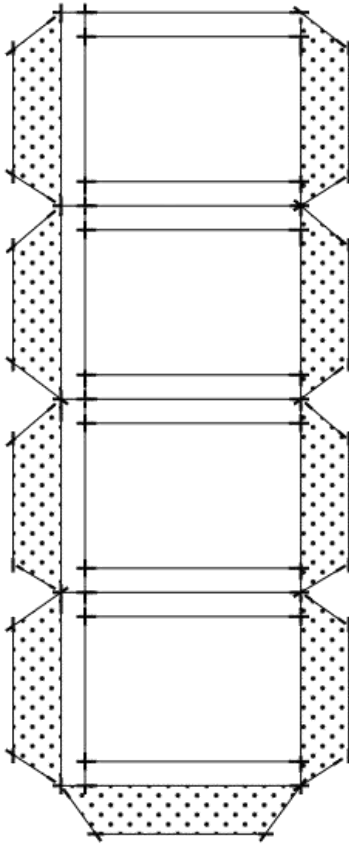
36"

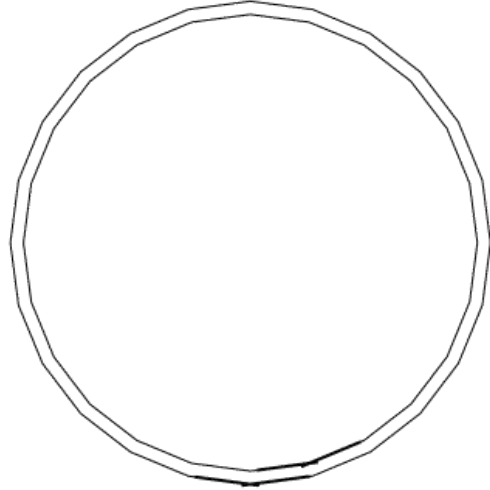
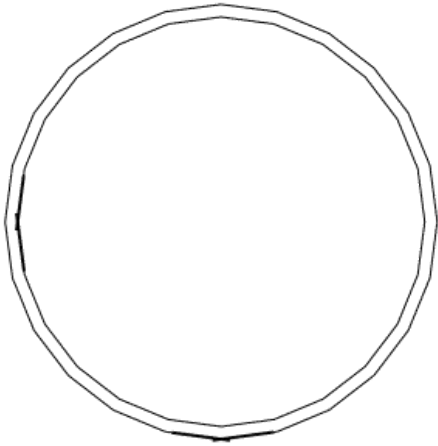
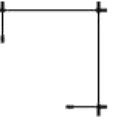




42"

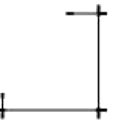
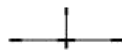
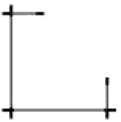
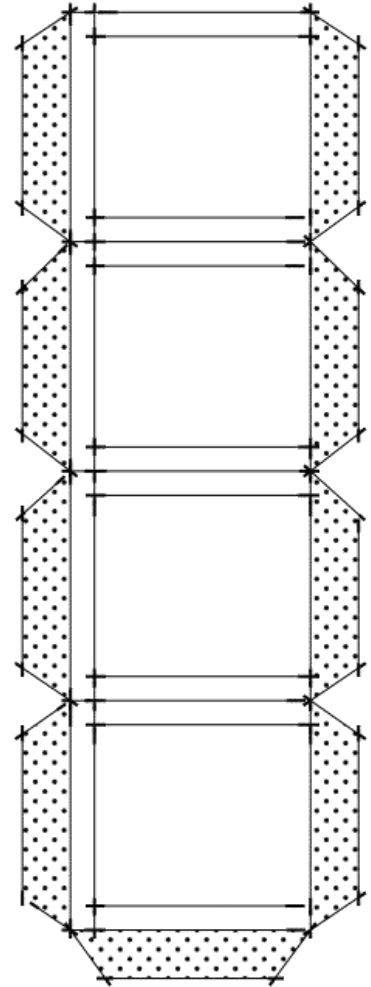
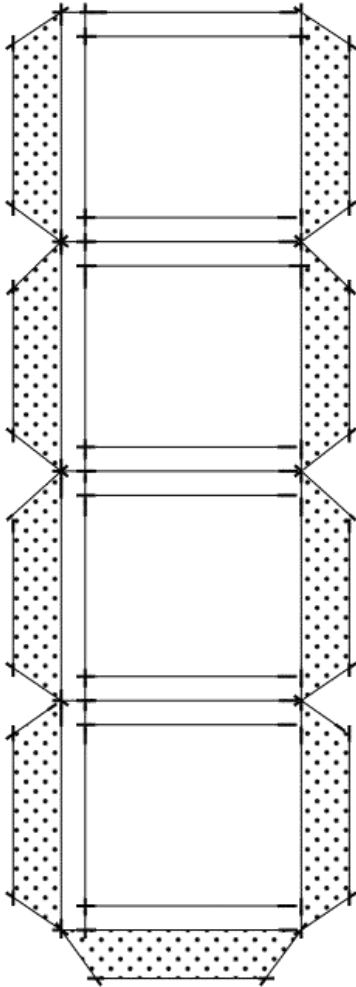
48"



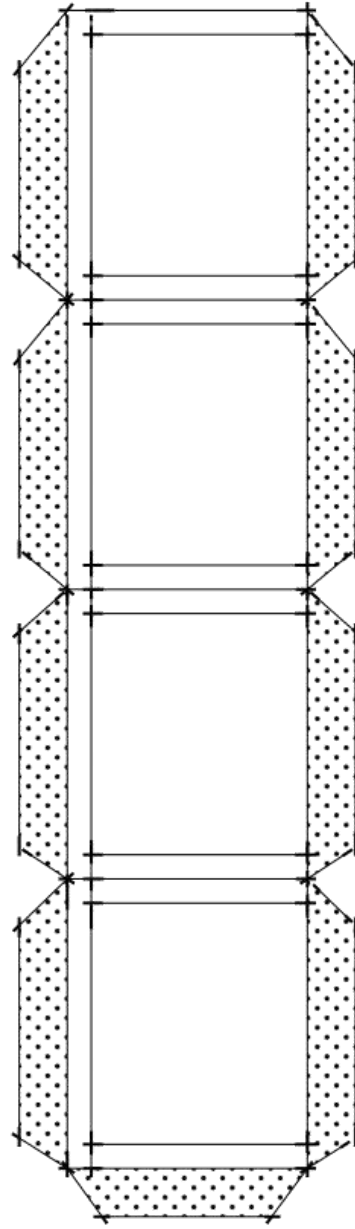
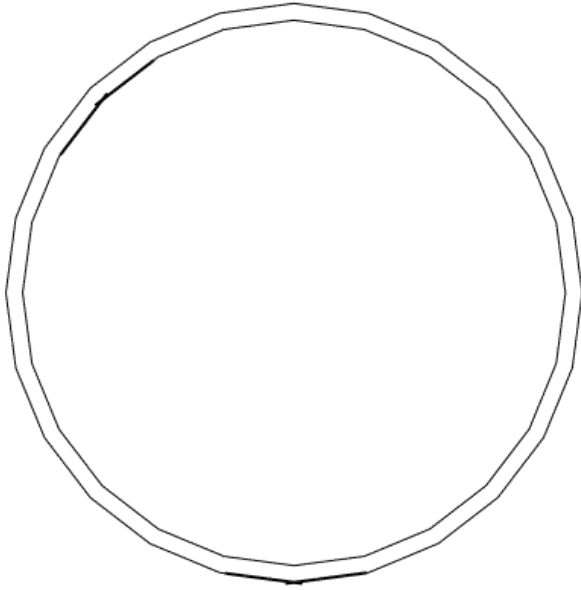


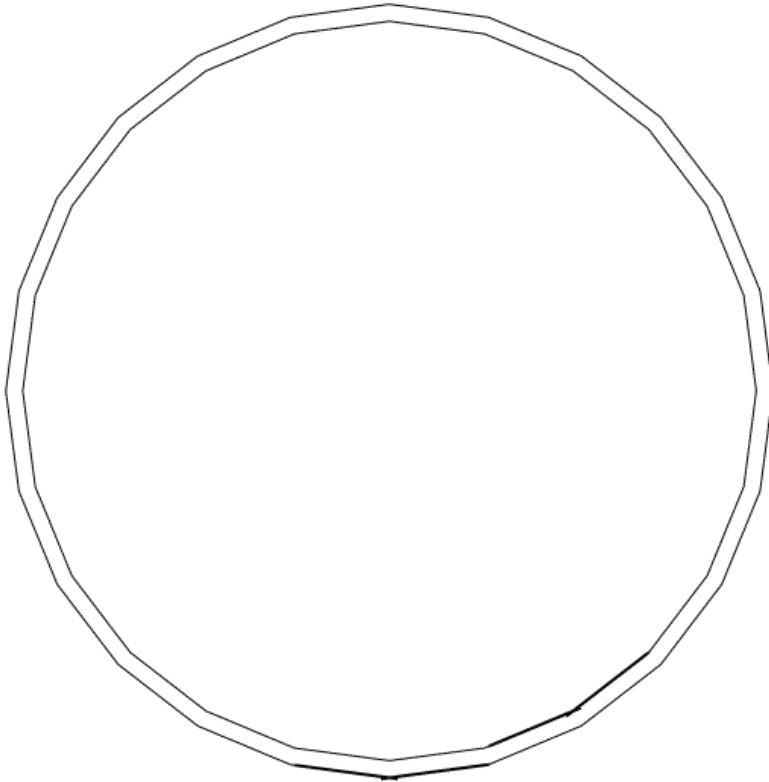
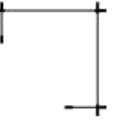
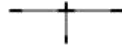
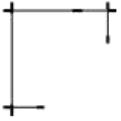
54"

60"

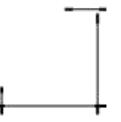
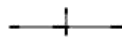
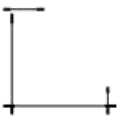
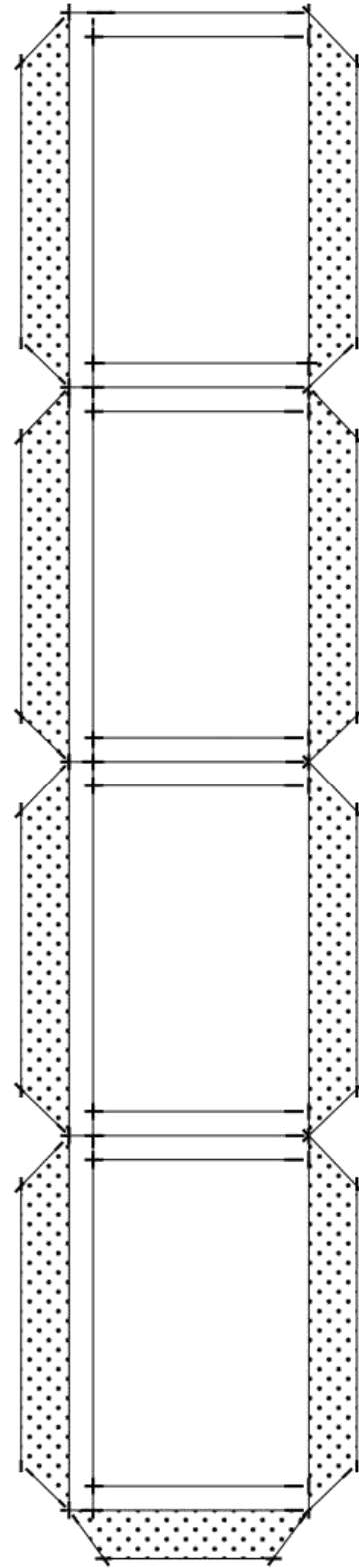


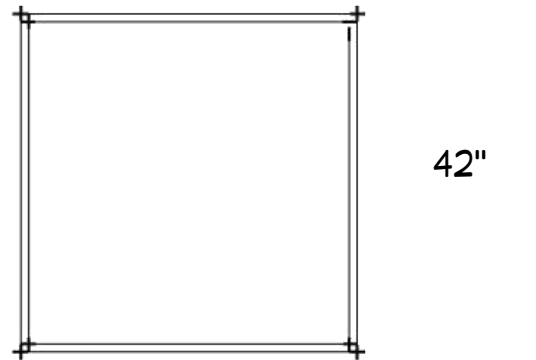
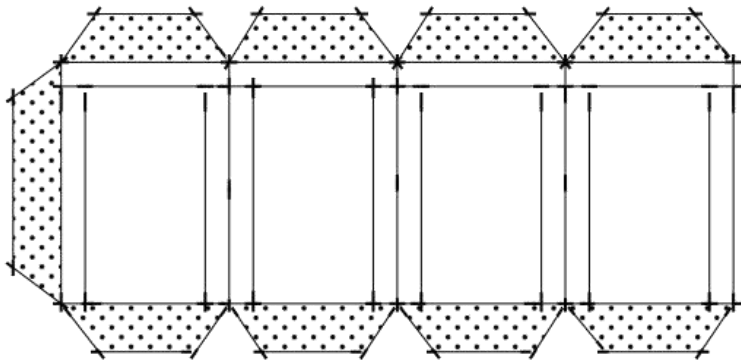
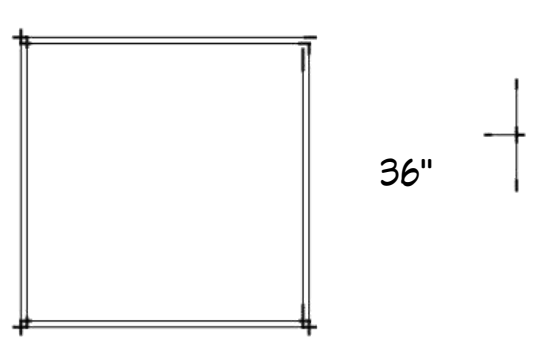
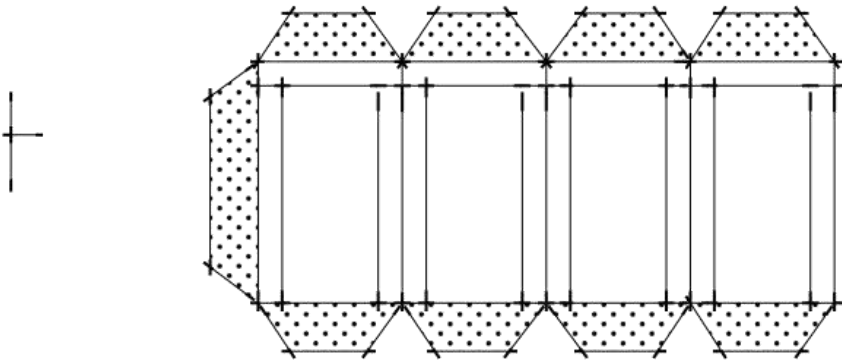
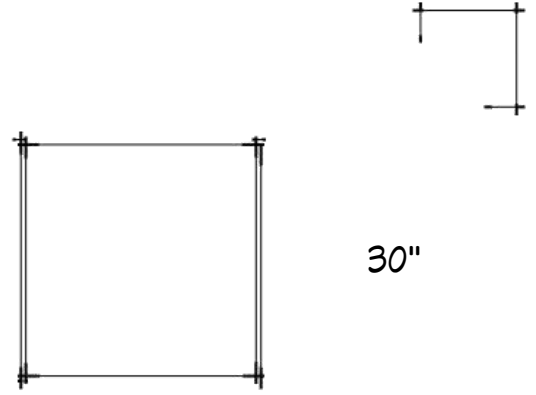
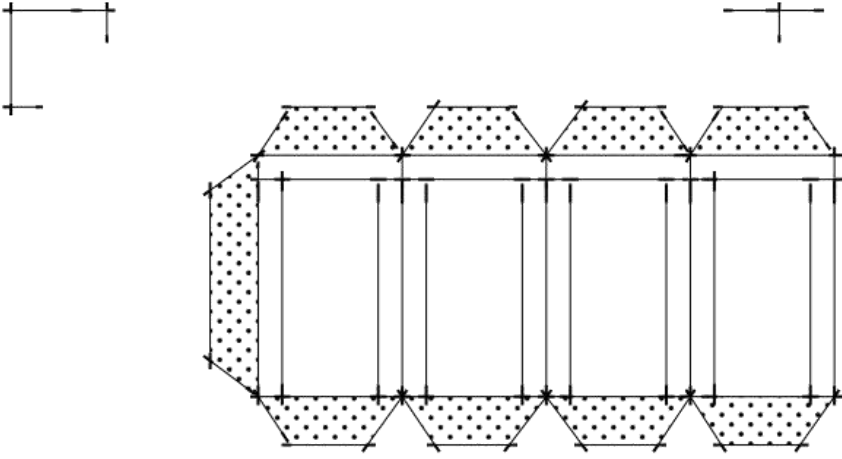
72"





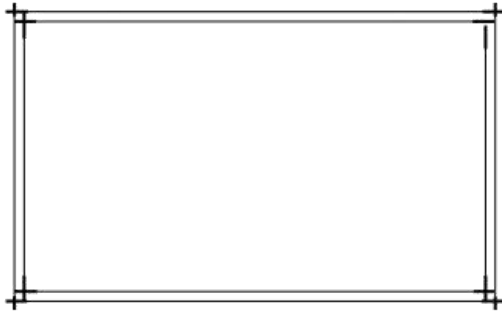
96"



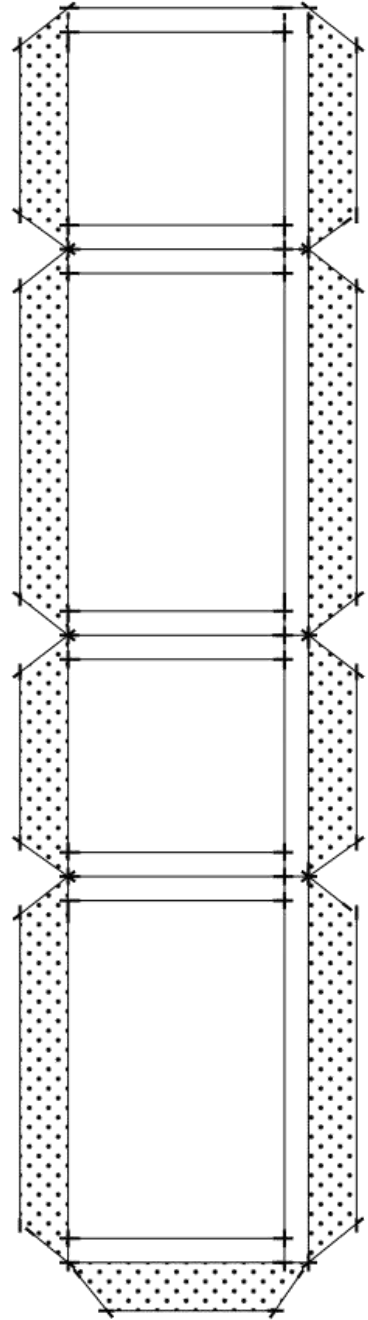
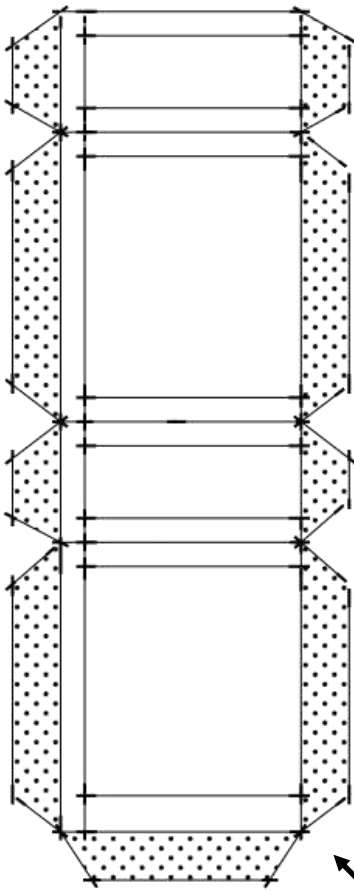
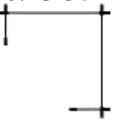




60"



36"



smaller base to accommodate chairs

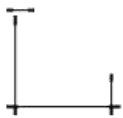
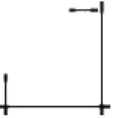
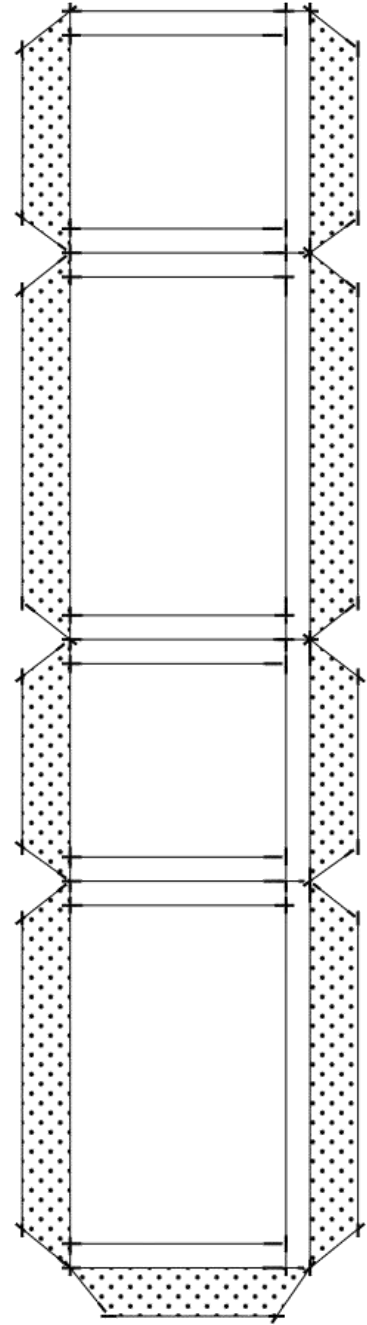
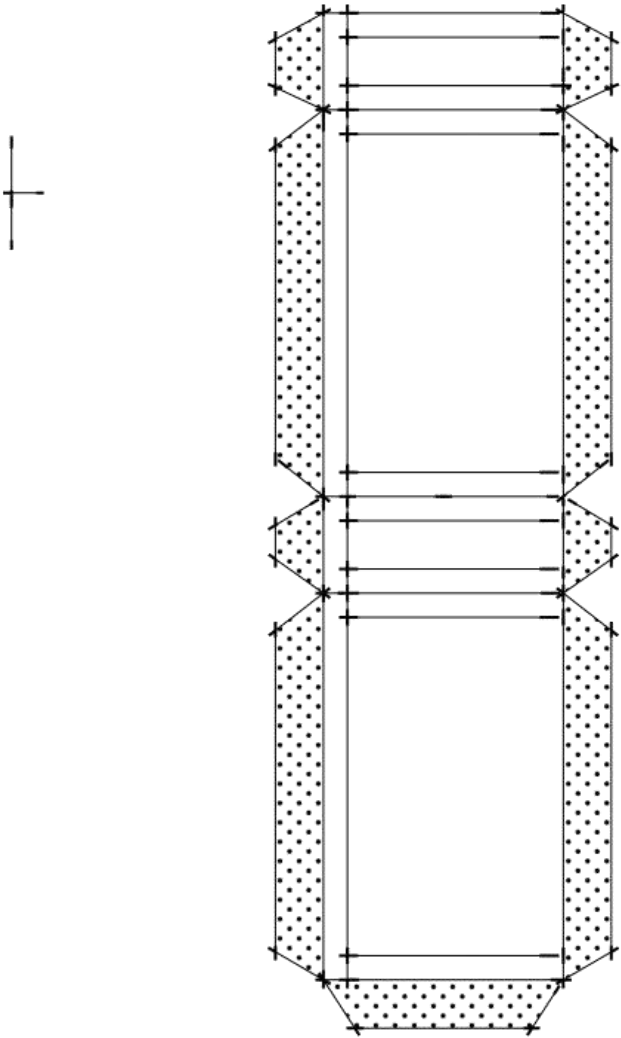
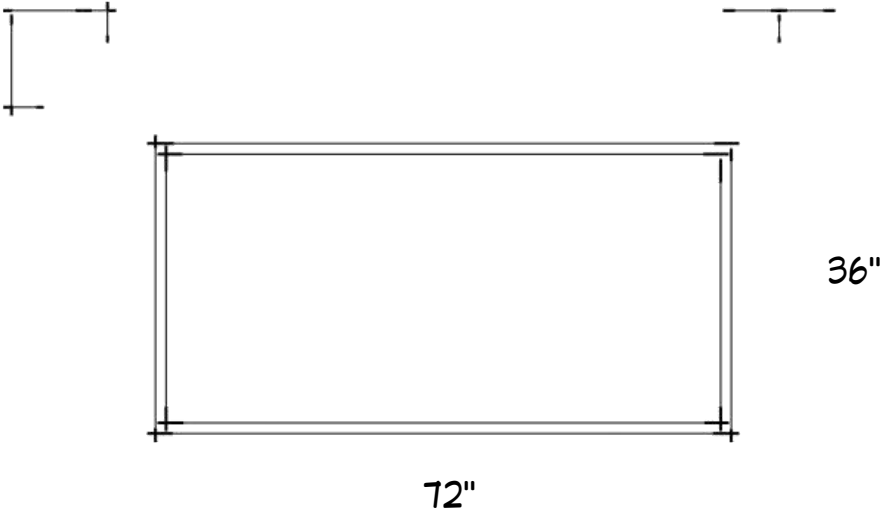
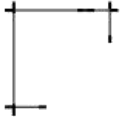


table 36" x 60"

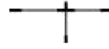




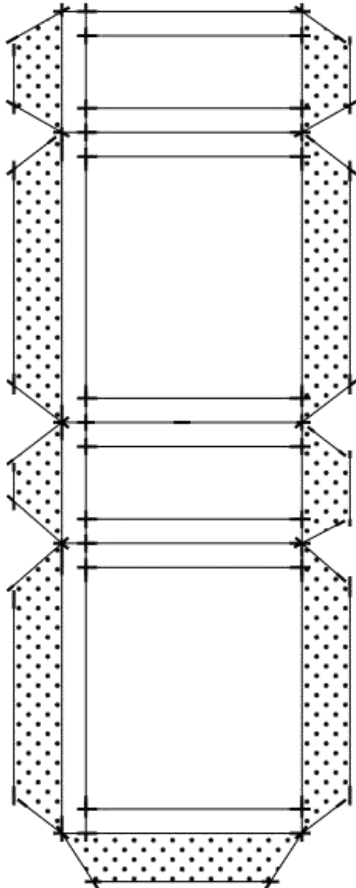
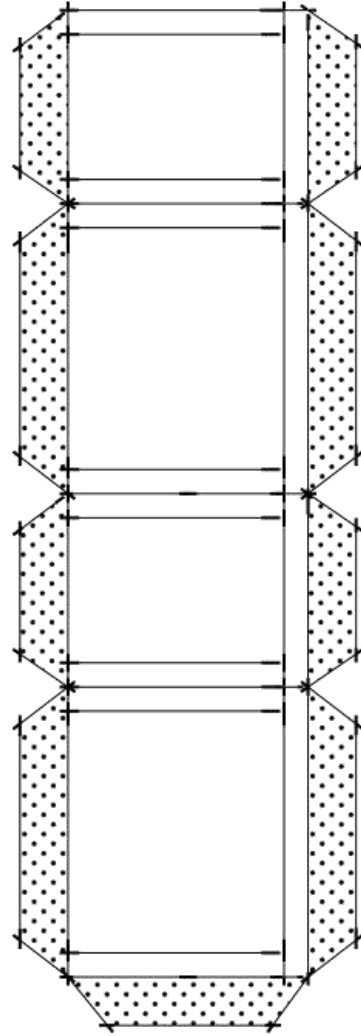
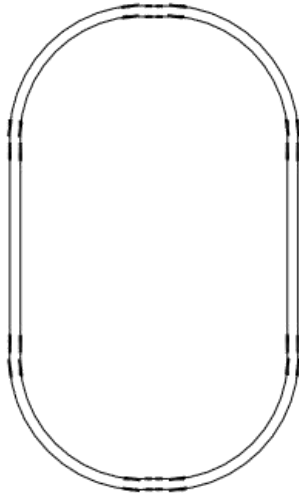
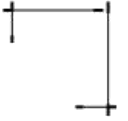
smaller base to accommodate chairs



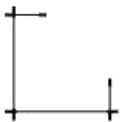
36"



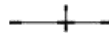
60"

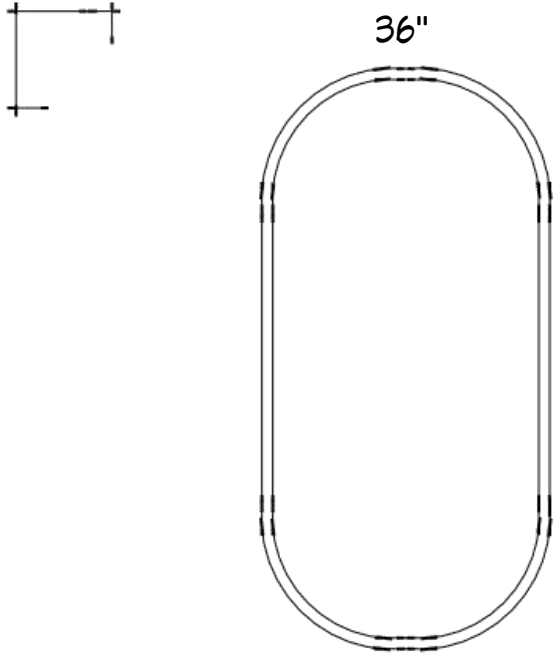


smaller base to accommodate chairs

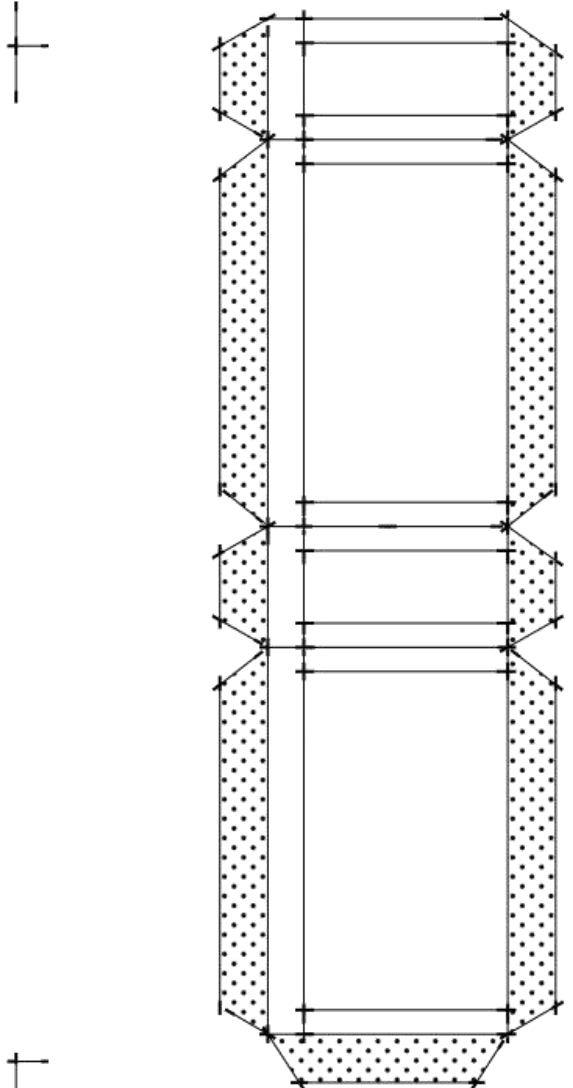
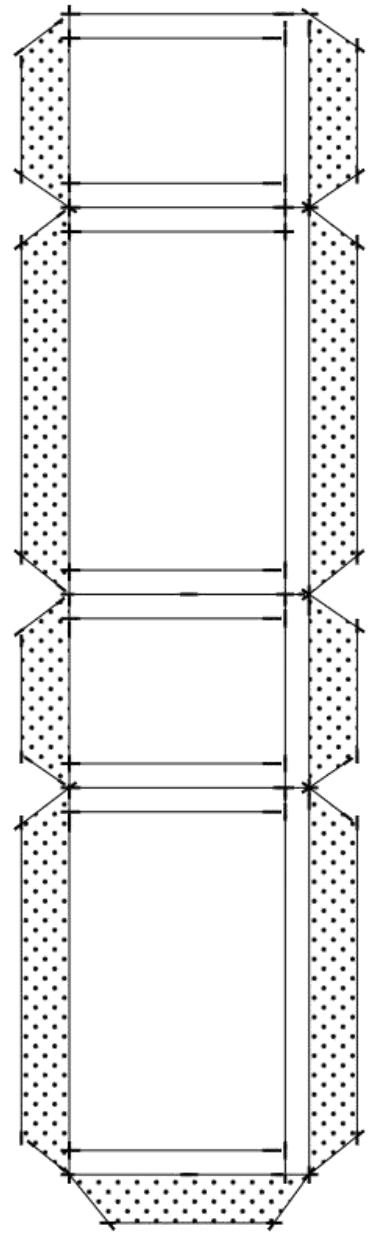


oval table 36" x 60"





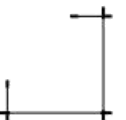
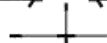
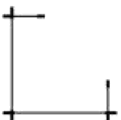
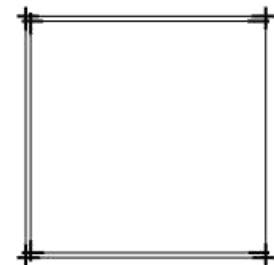
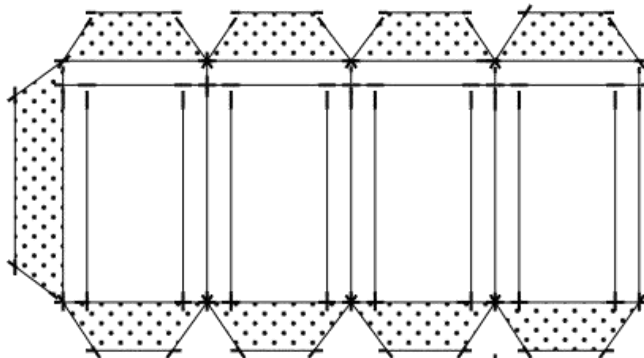
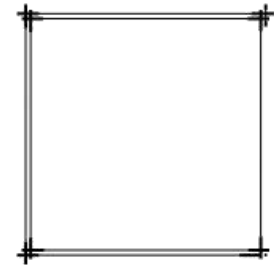
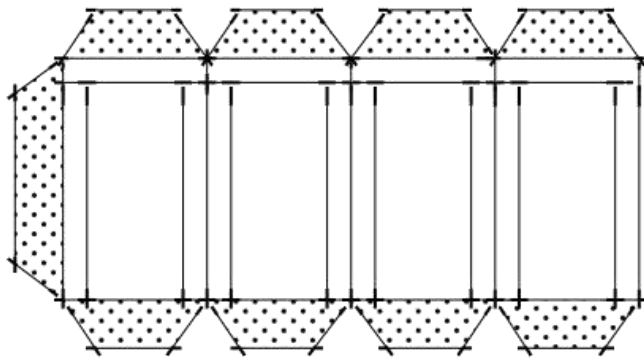
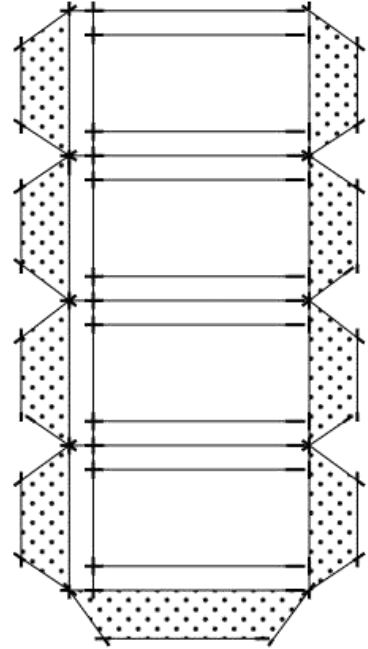
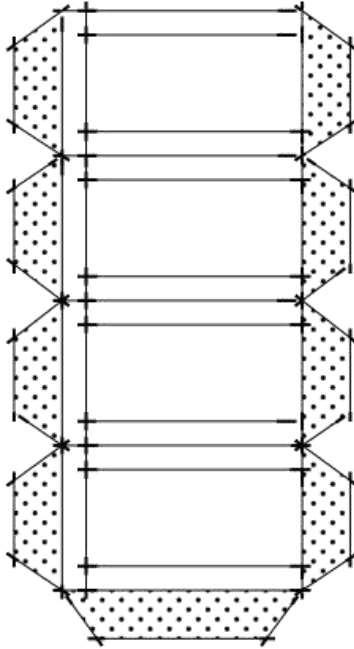
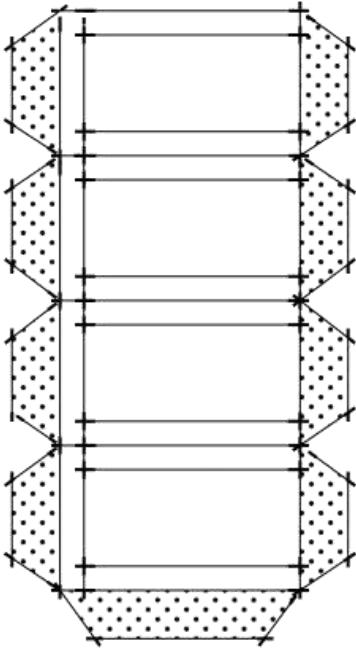
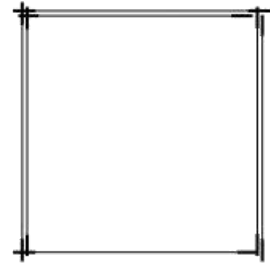
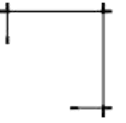
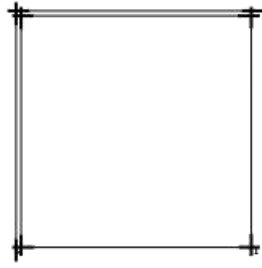
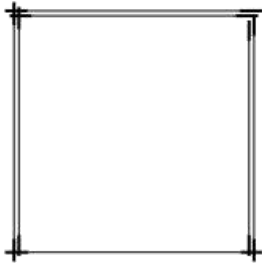
72"

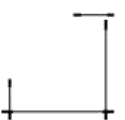
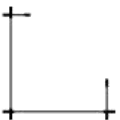
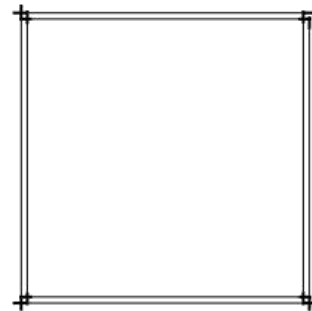
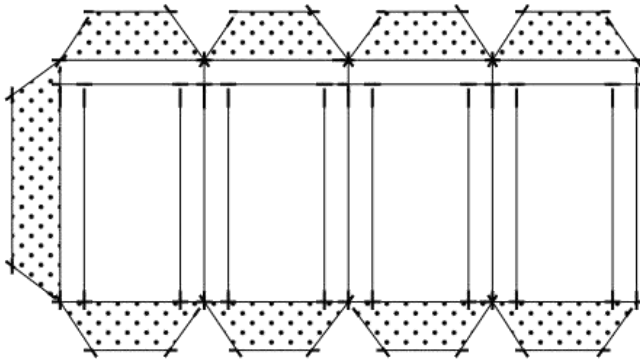
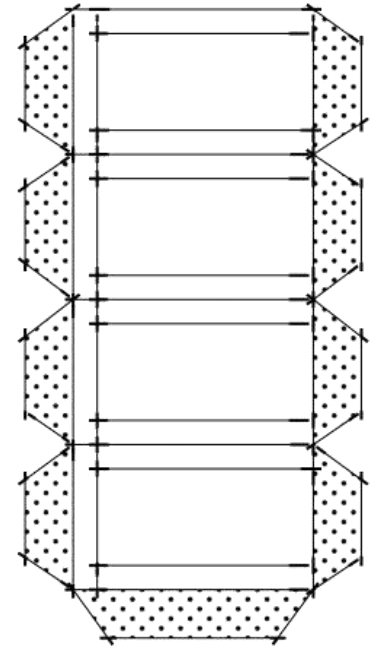
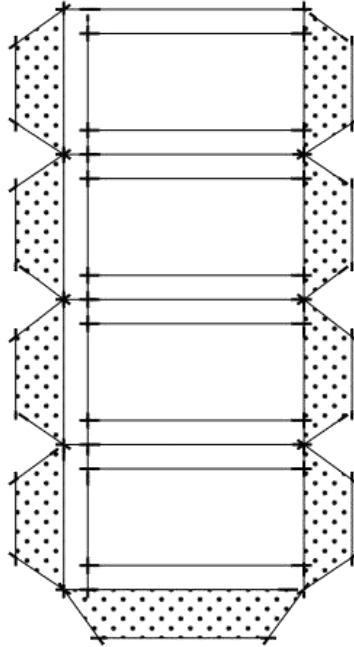
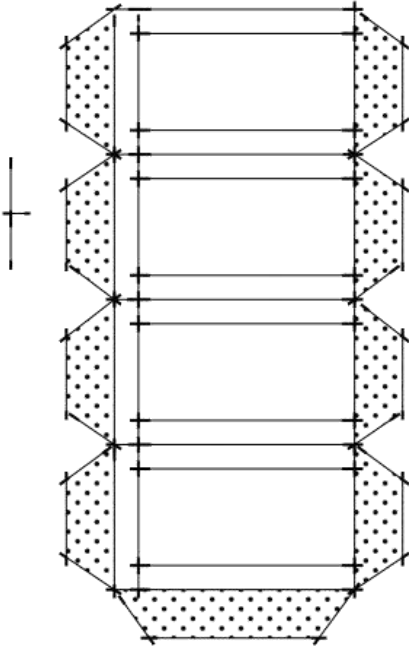
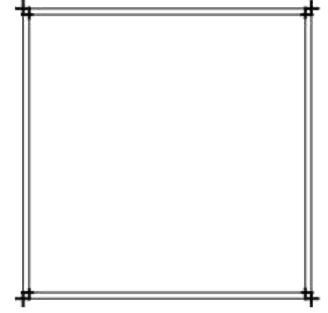
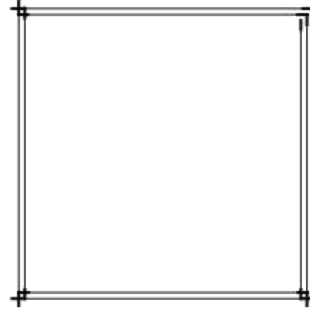
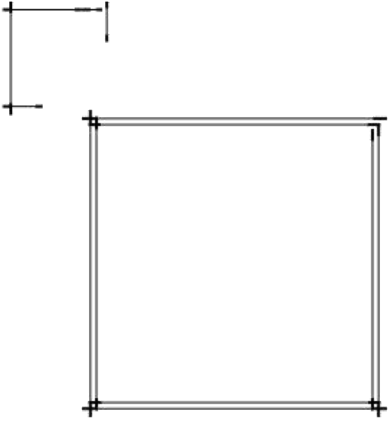


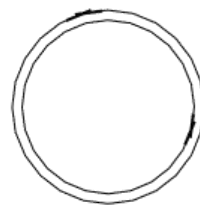
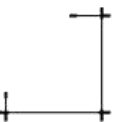
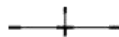
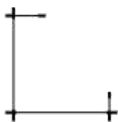
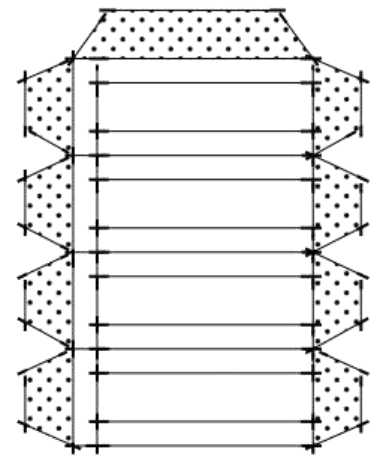
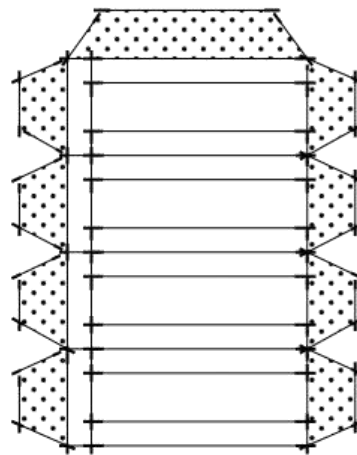
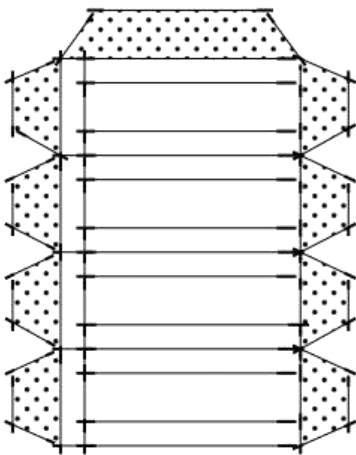
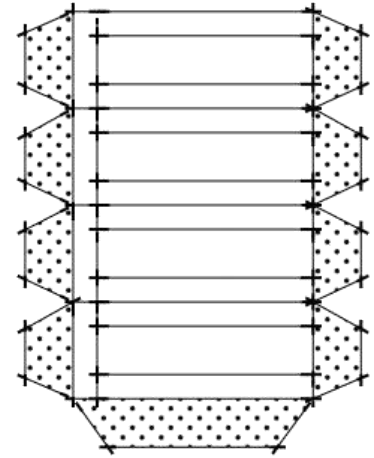
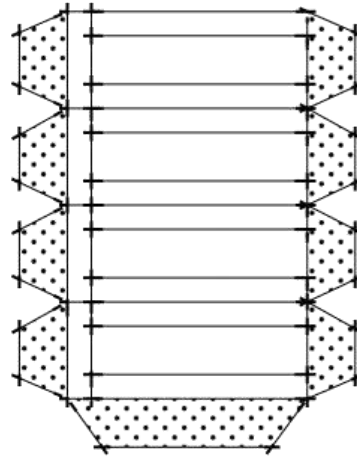
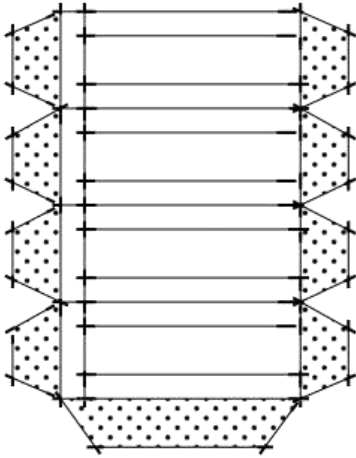
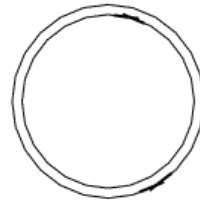
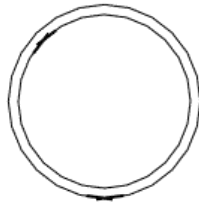
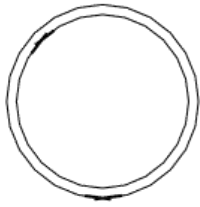
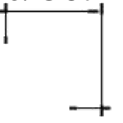
smaller base to accommodate chairs

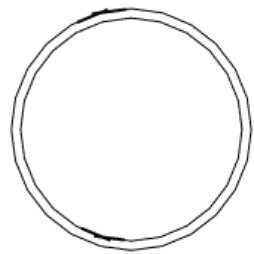
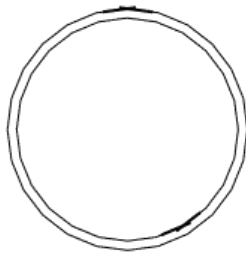
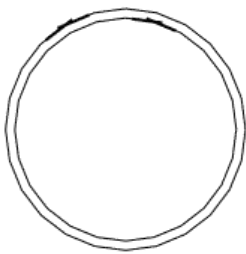
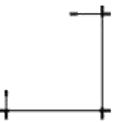
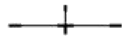
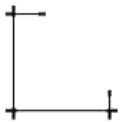
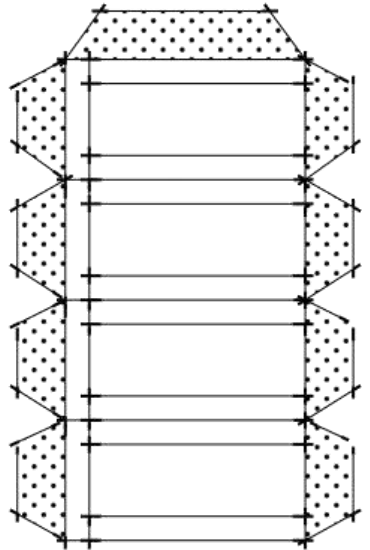
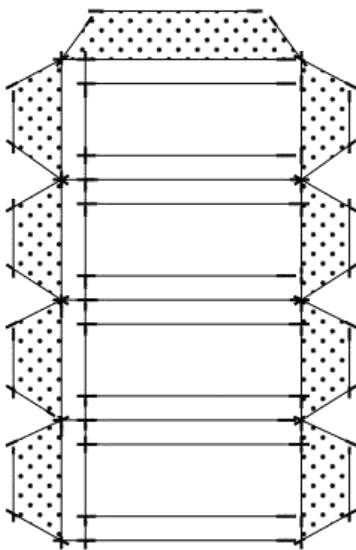
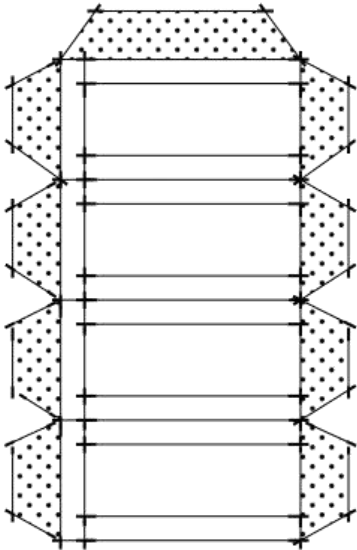
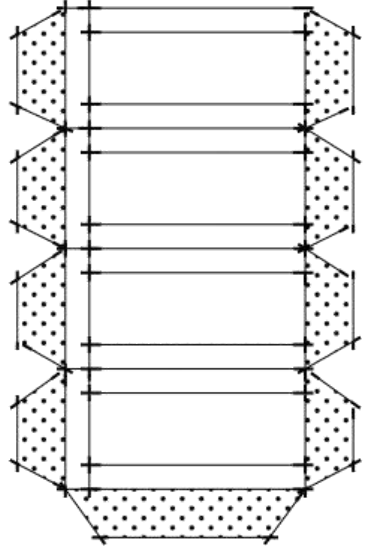
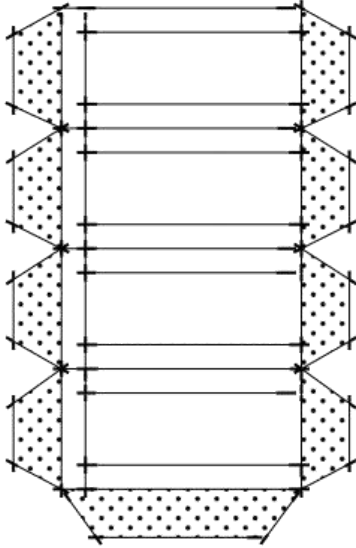
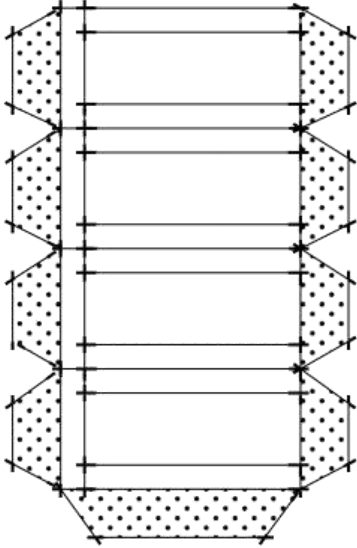
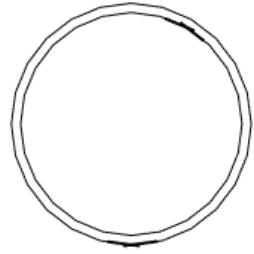
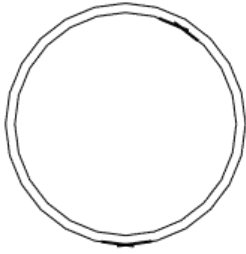
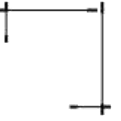
An arrow points from this text to the base of the table in the left-side view, indicating that the base is narrower than the table's top surface to allow chairs to fit underneath.

oval table 36" x 72"

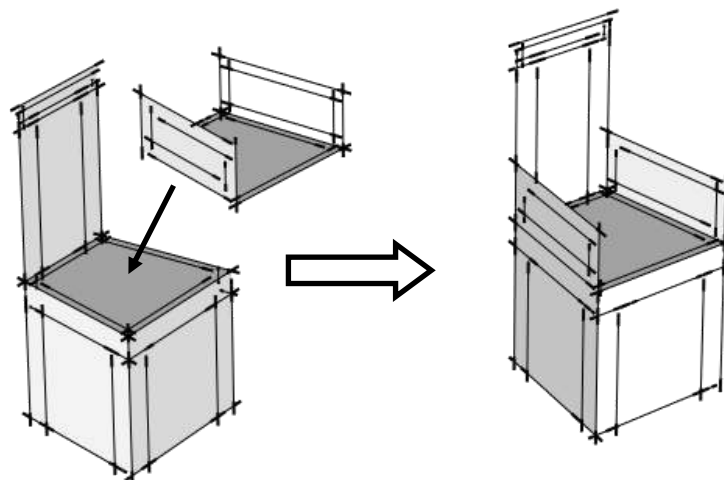
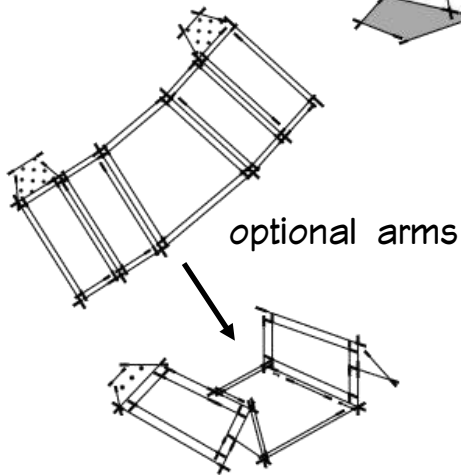
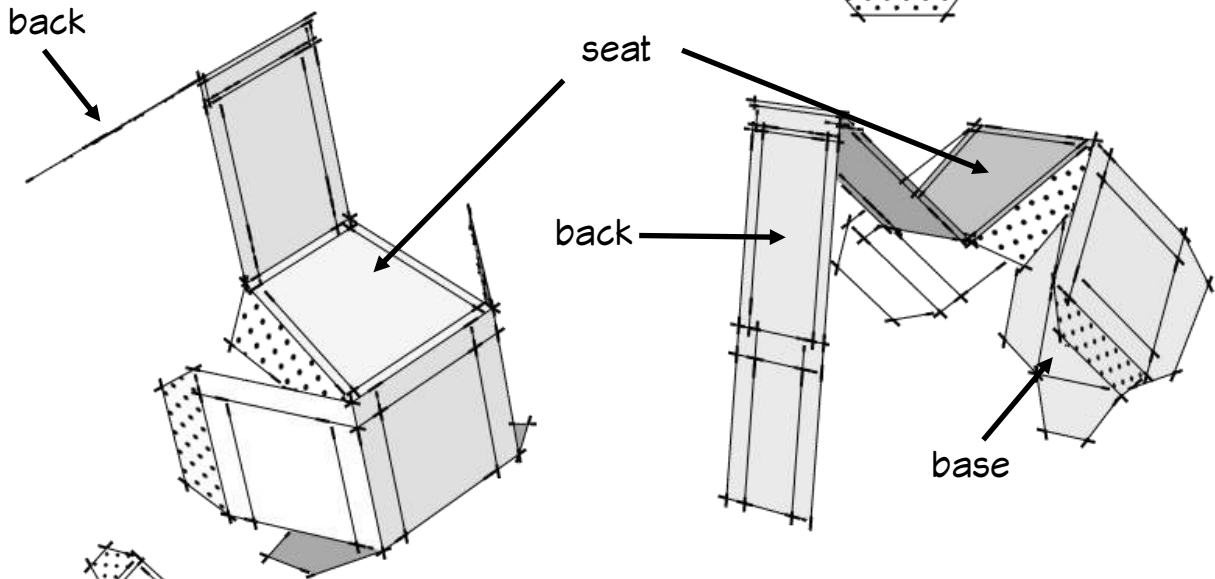
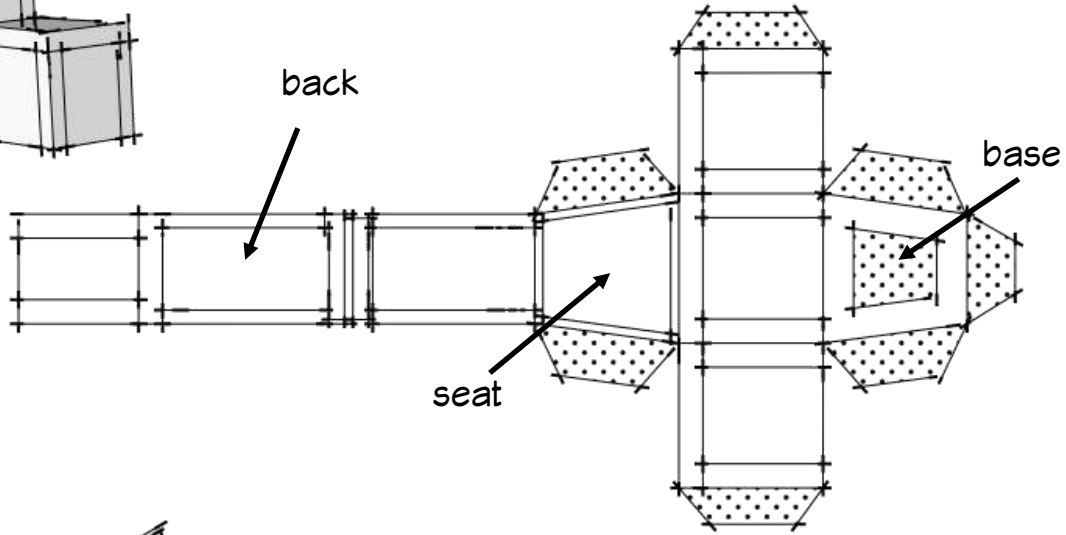
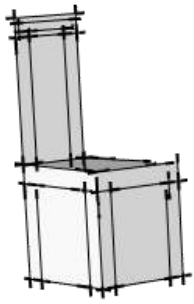


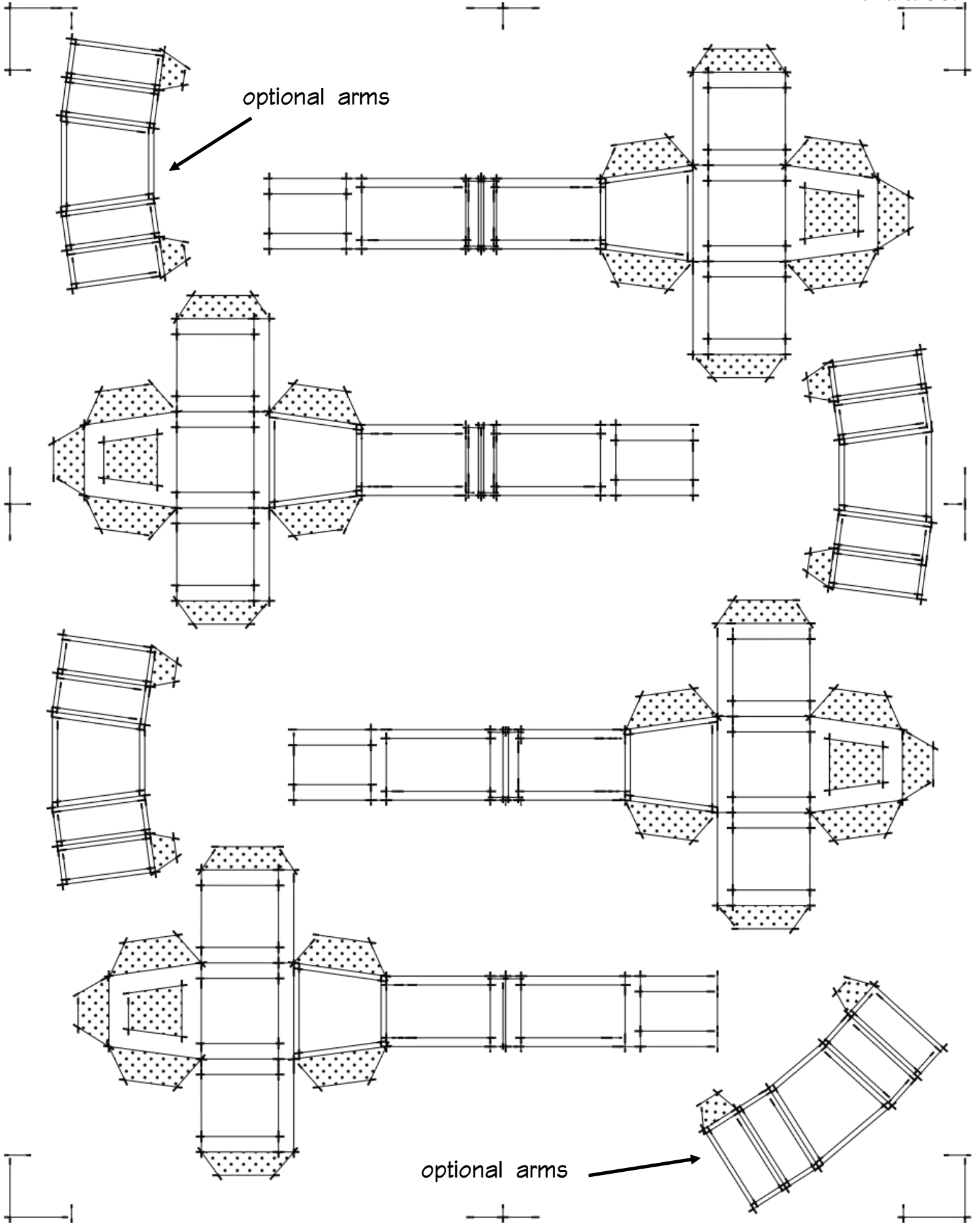


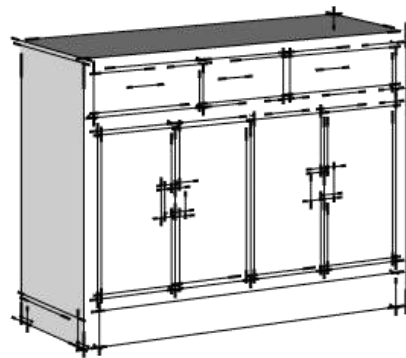
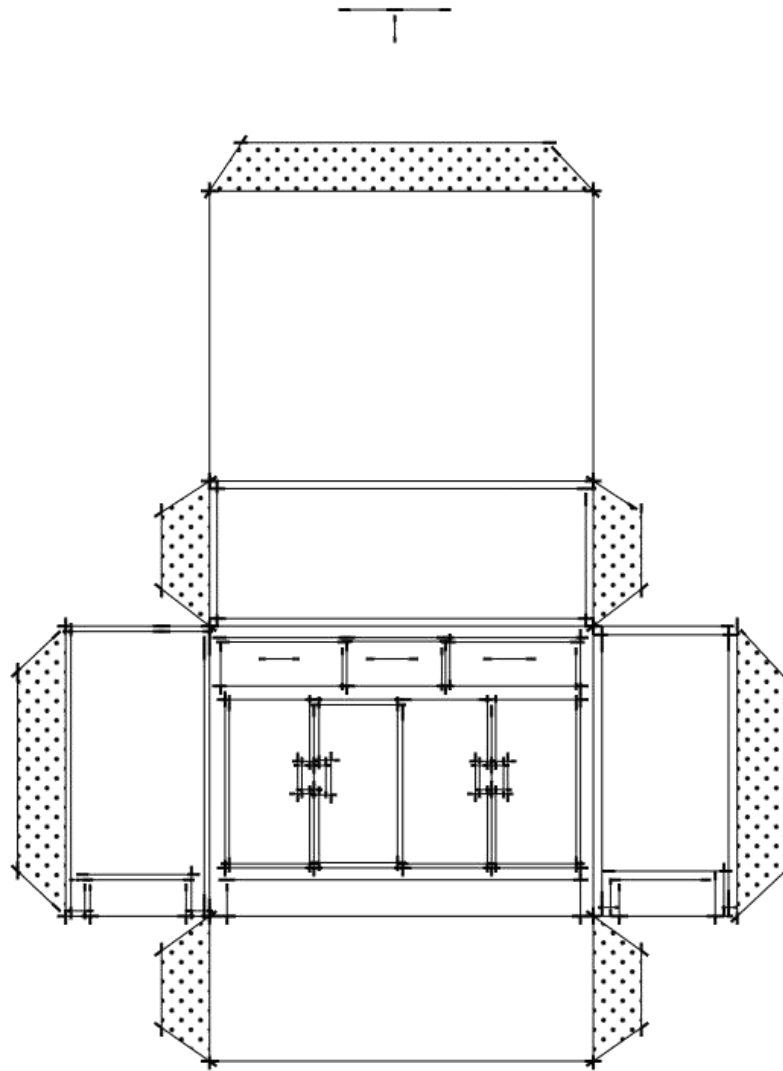




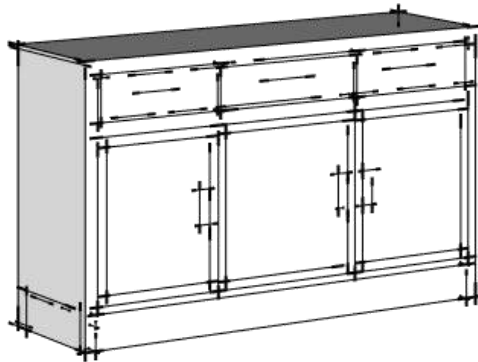
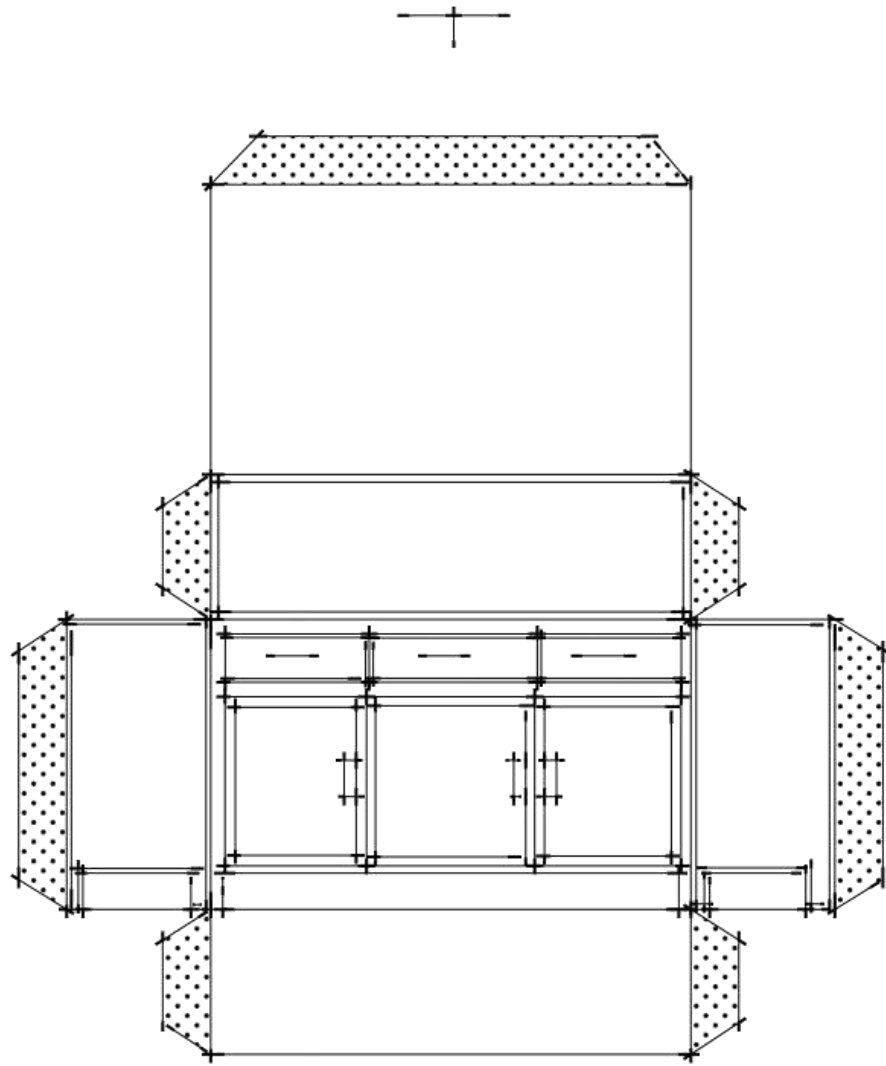
straight back chairs instructions



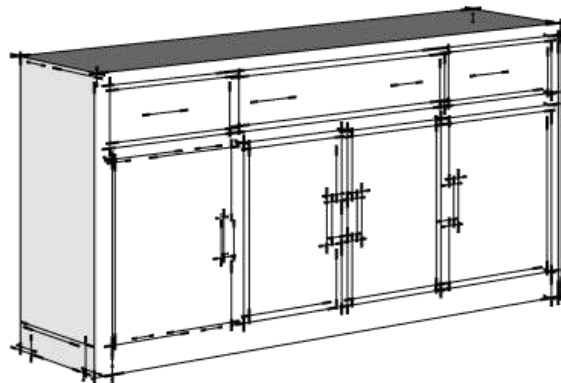
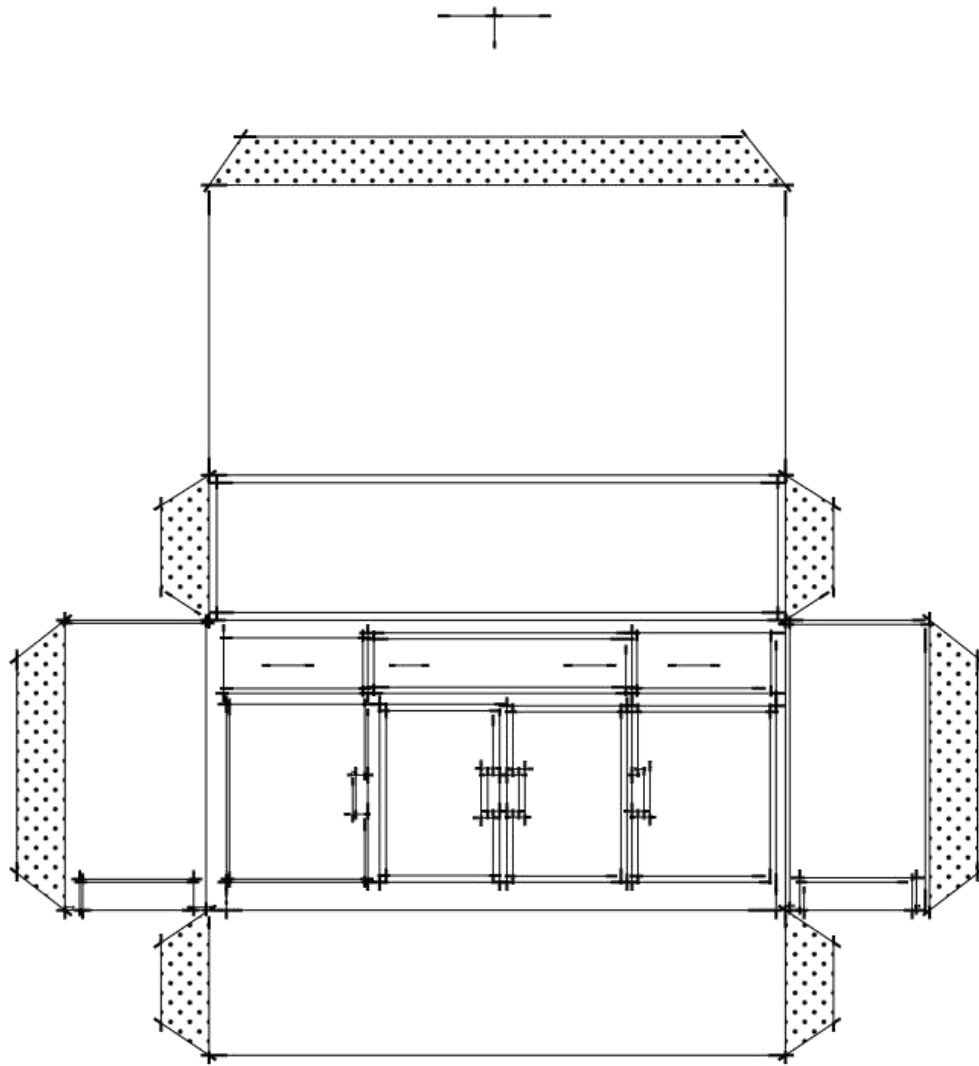




sideboard 30" x 48"



sideboard 30" x 60"

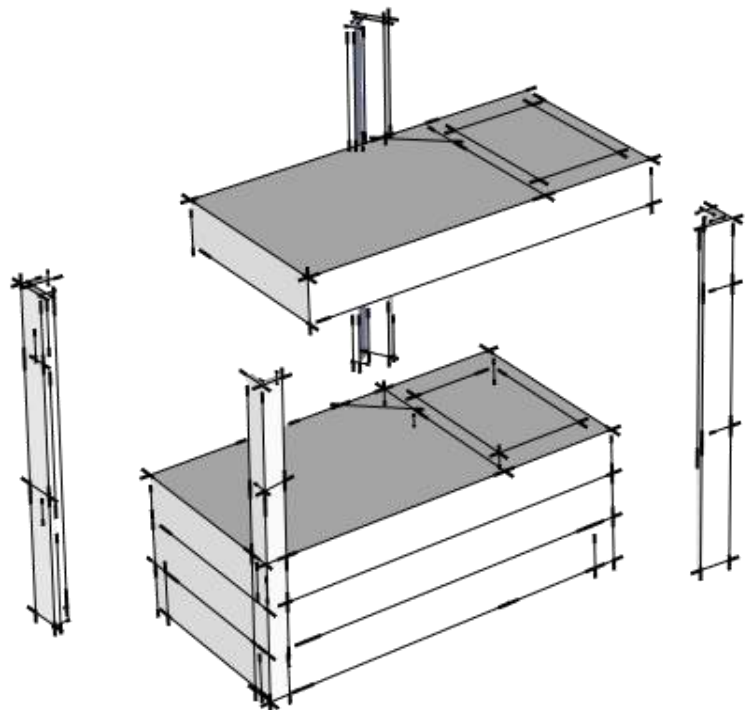
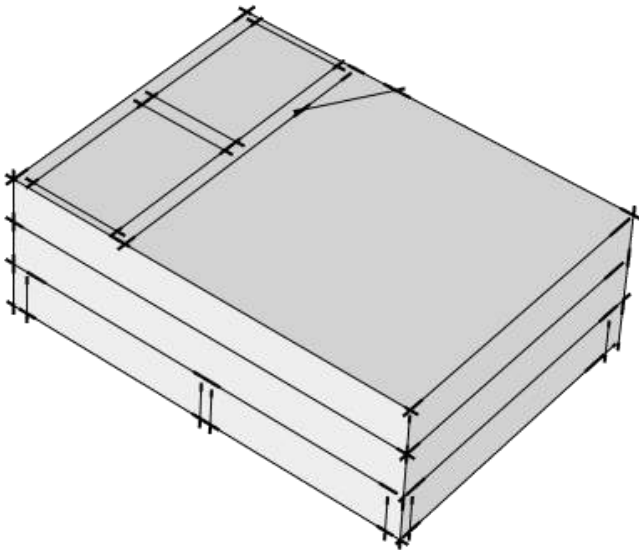
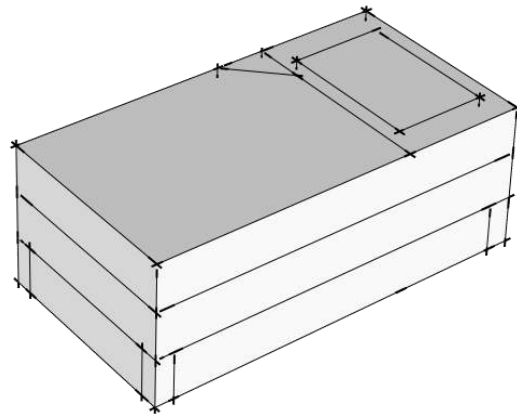
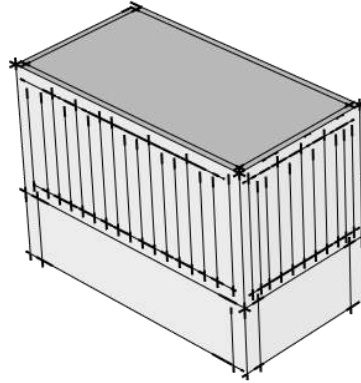


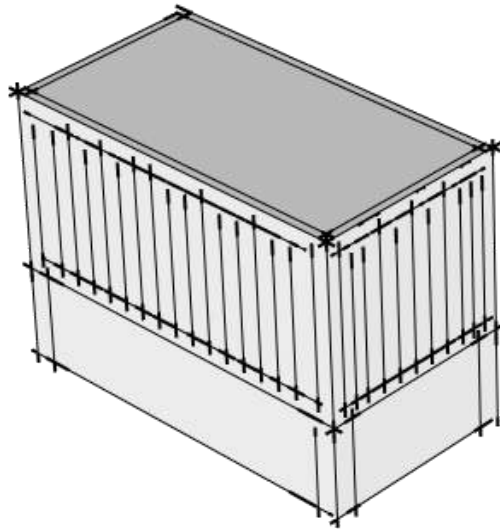
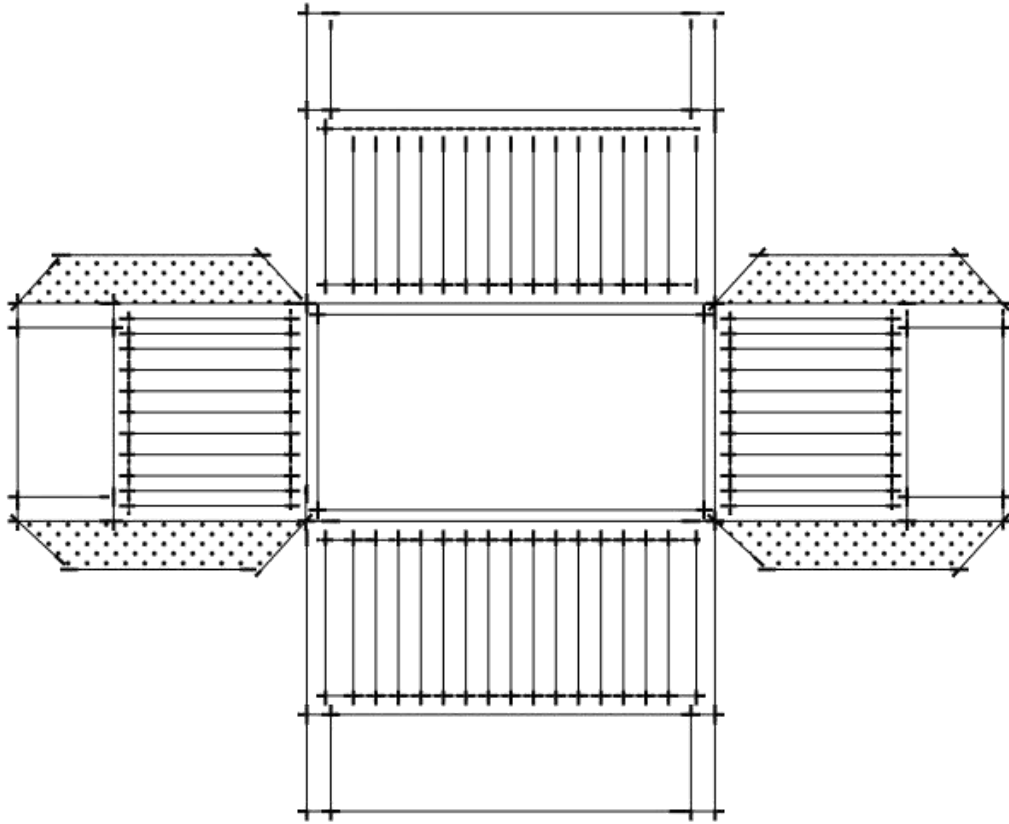
sideboard 30" x 72"

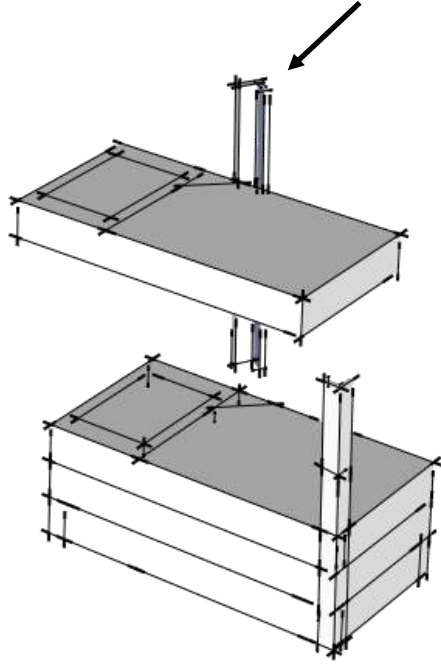
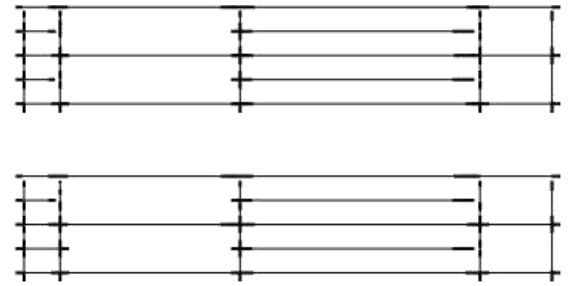
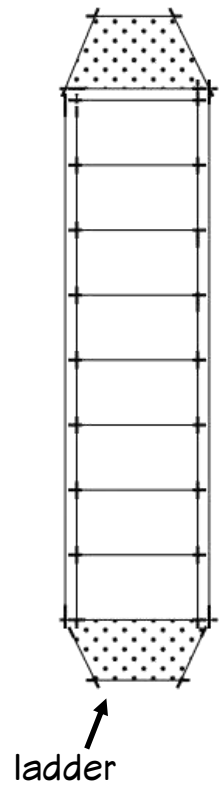
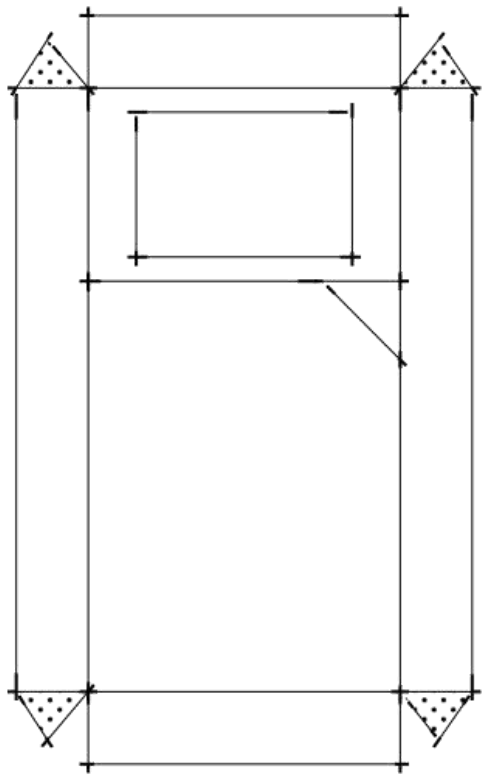
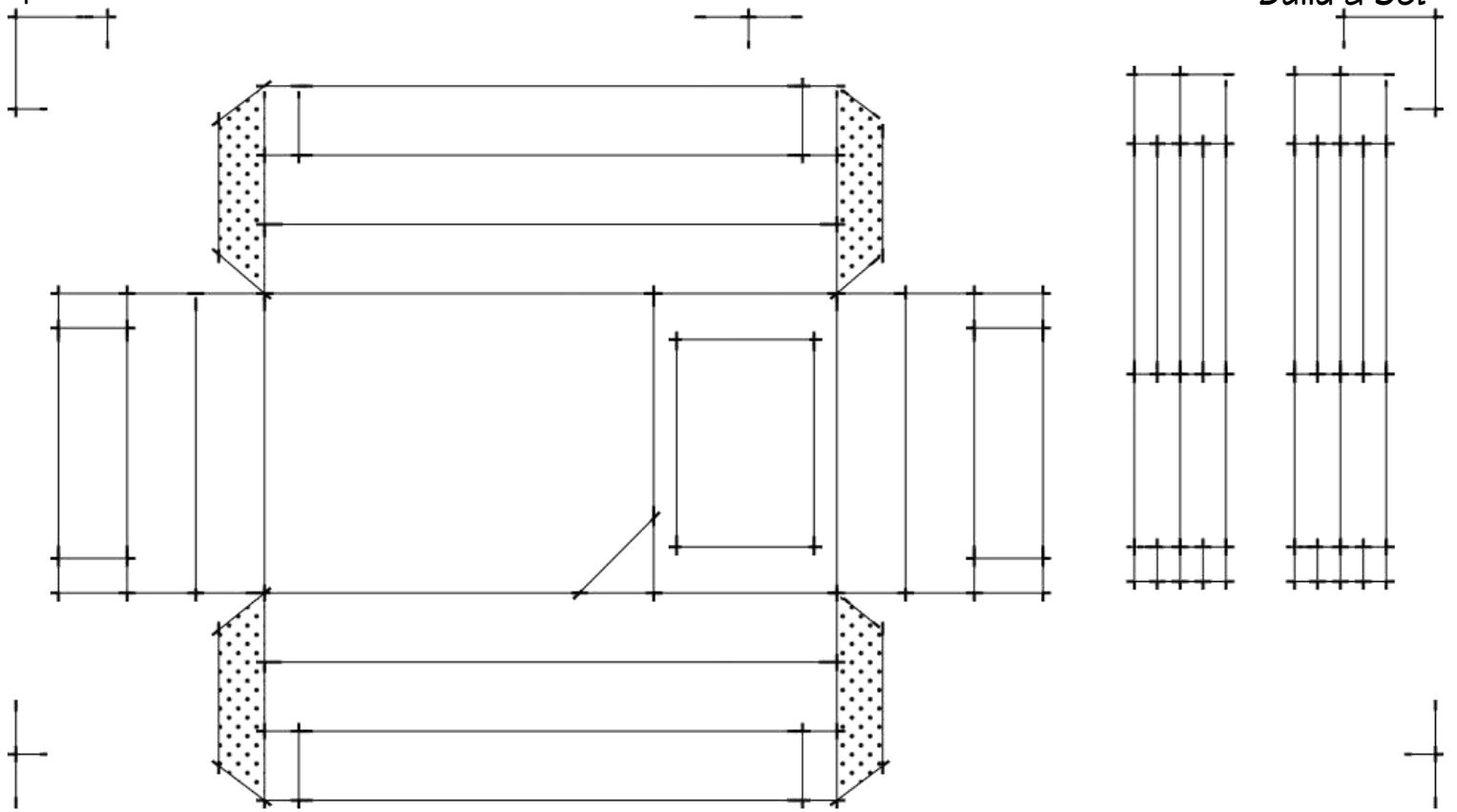
Chapters 3

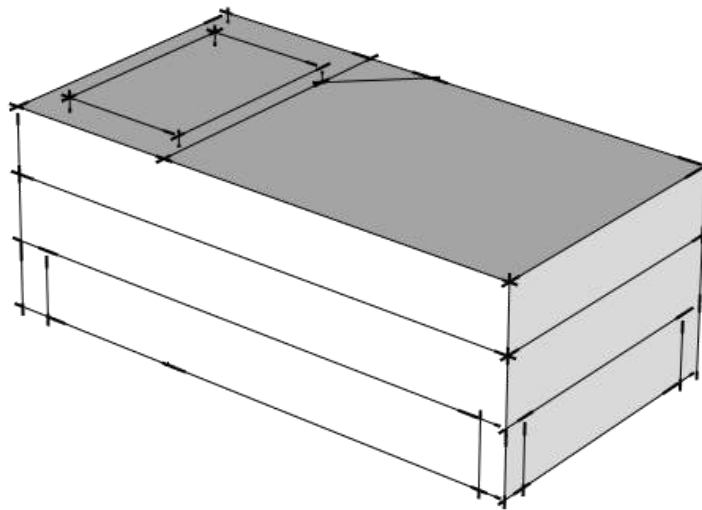
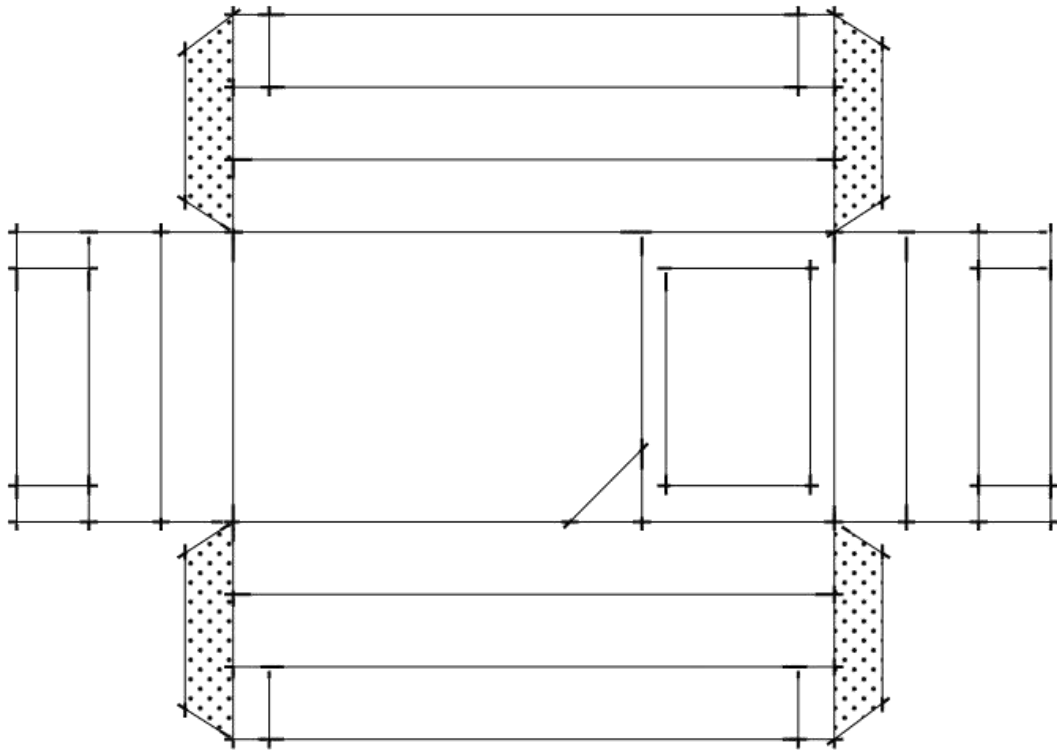
Beds

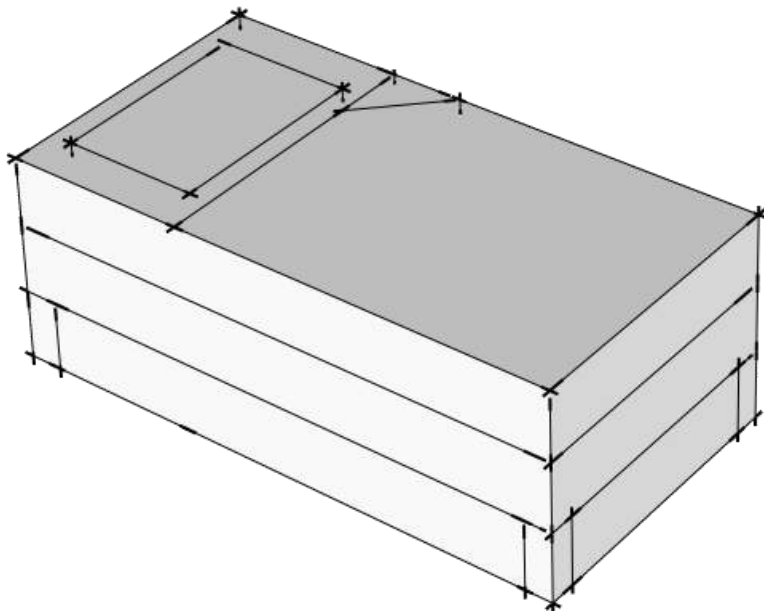
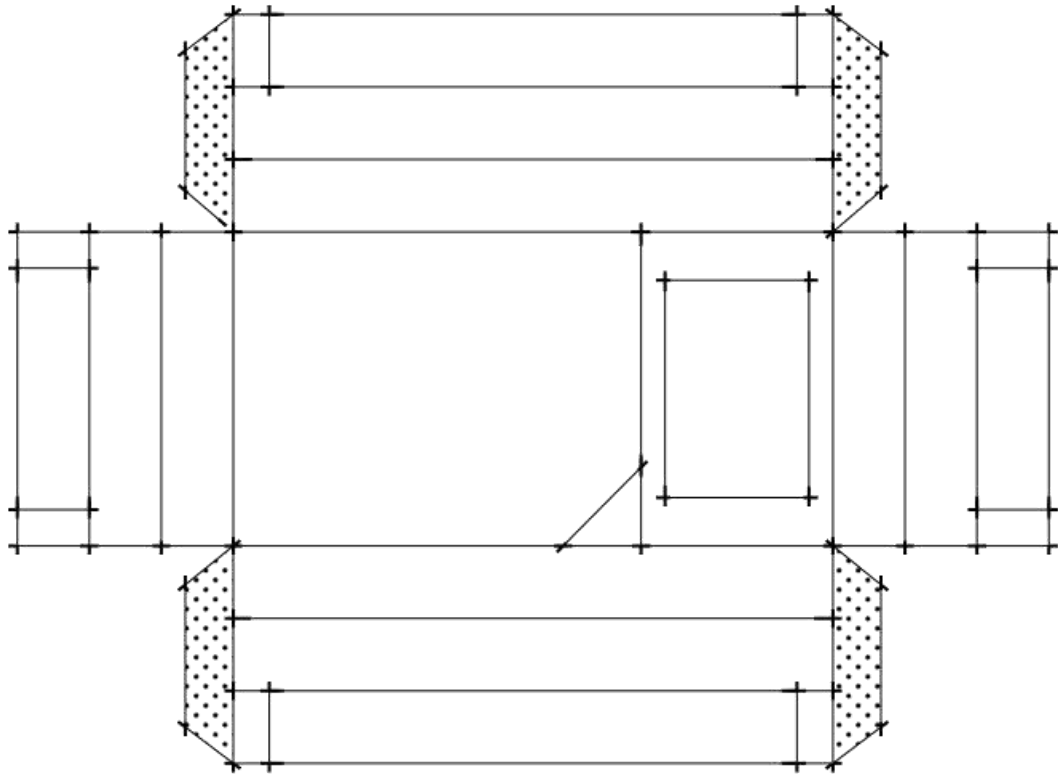
1. [Crib 27" x 52"](#)
2. [Bunk beds 39" x 75"](#)
3. [Single 36" x 75"](#)
4. [Twin 39" x 75"](#)
5. [Double 54" x 75"](#)
6. [Queen 60" x 80"](#)
7. [King 76" x 80"](#)



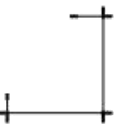
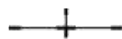
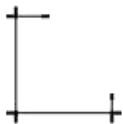
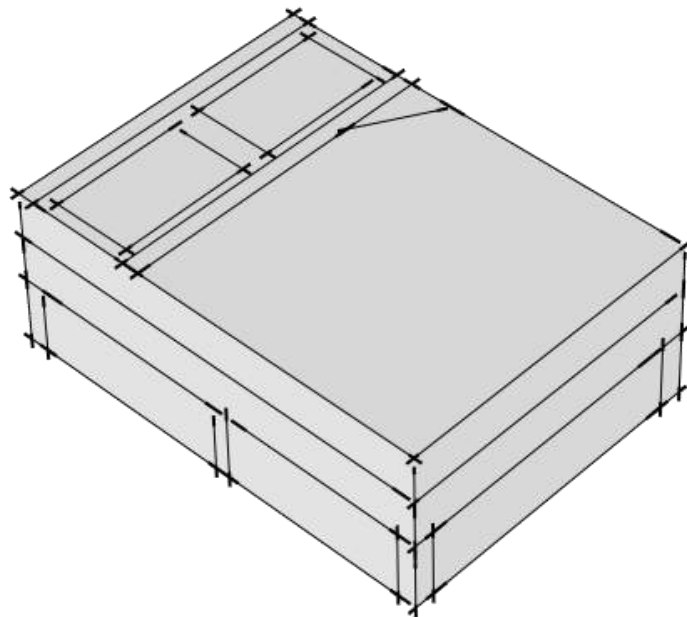
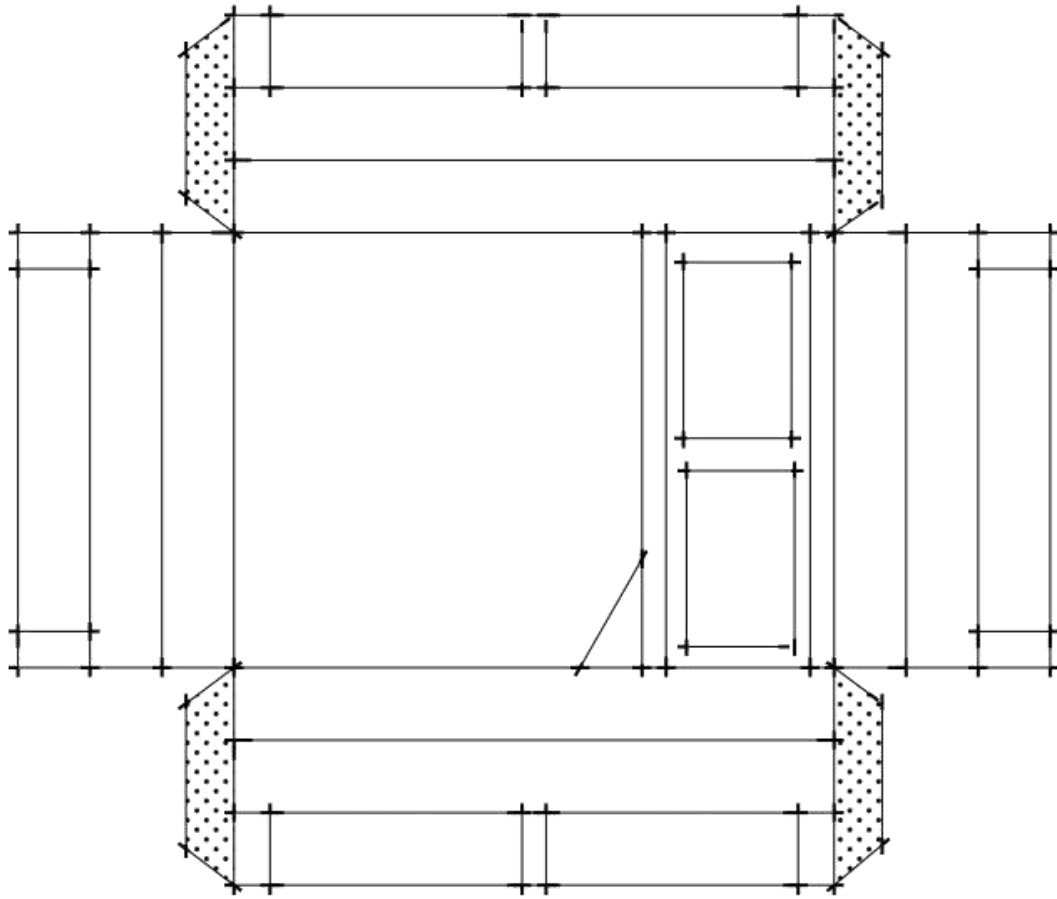
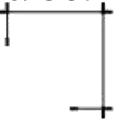




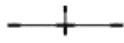
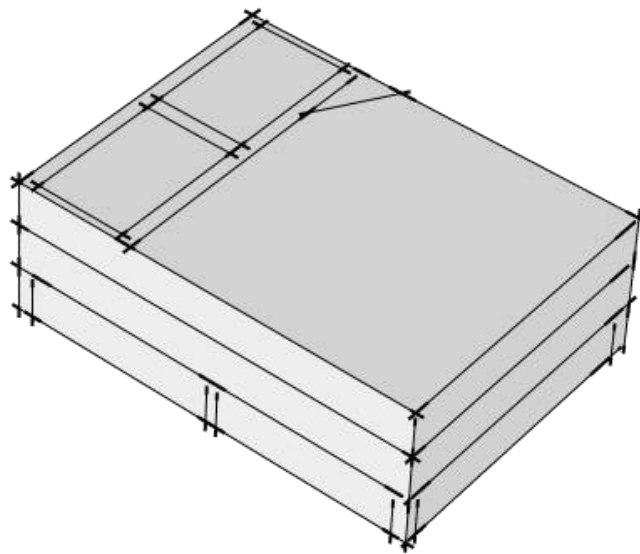
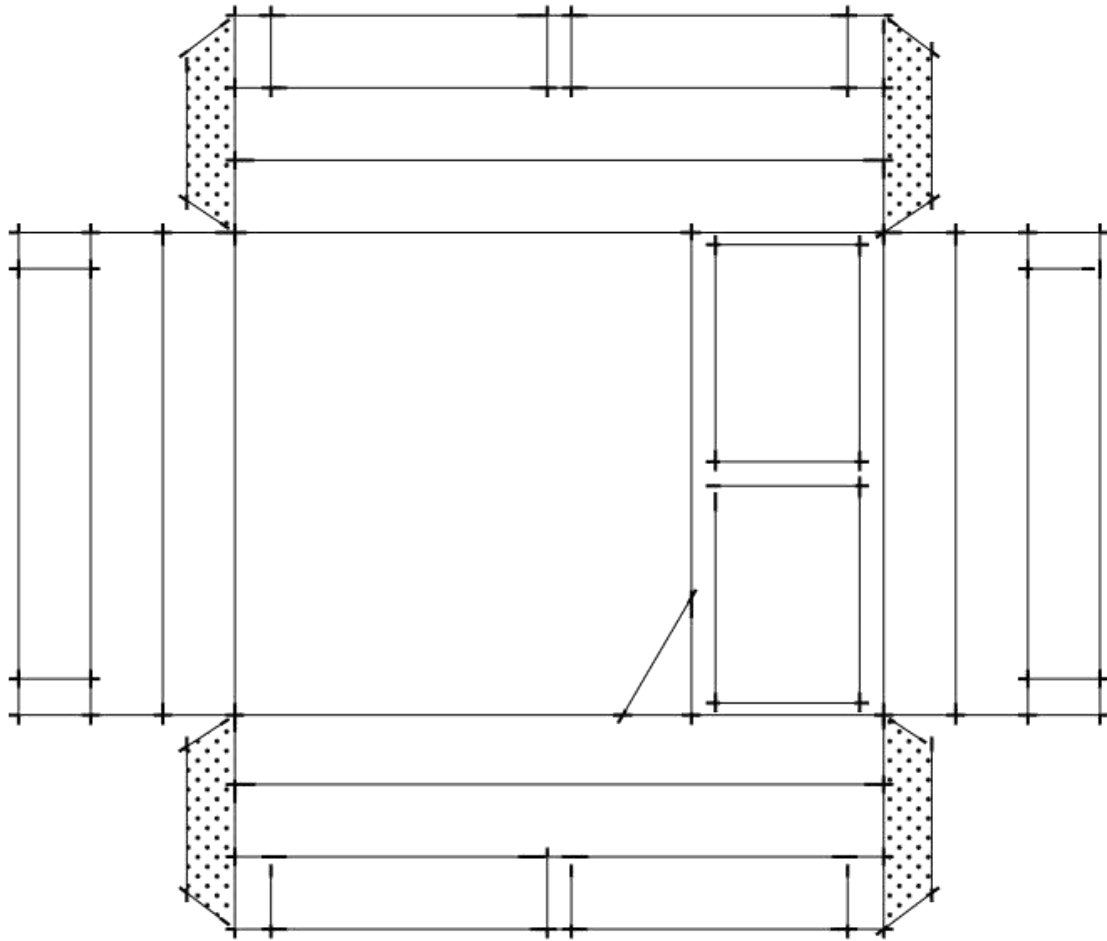
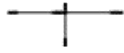


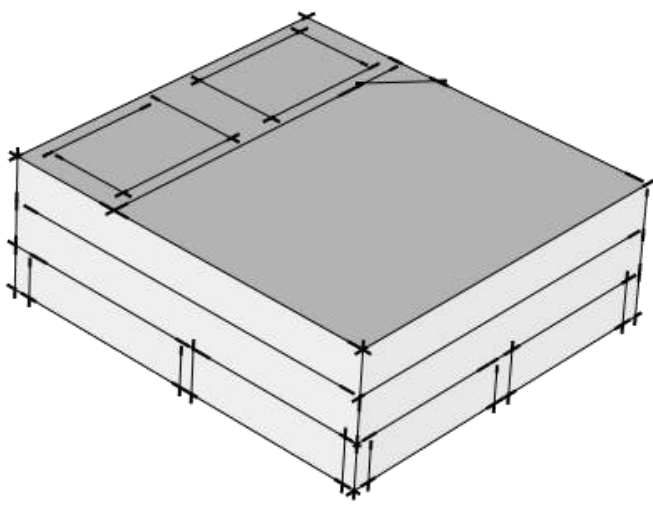
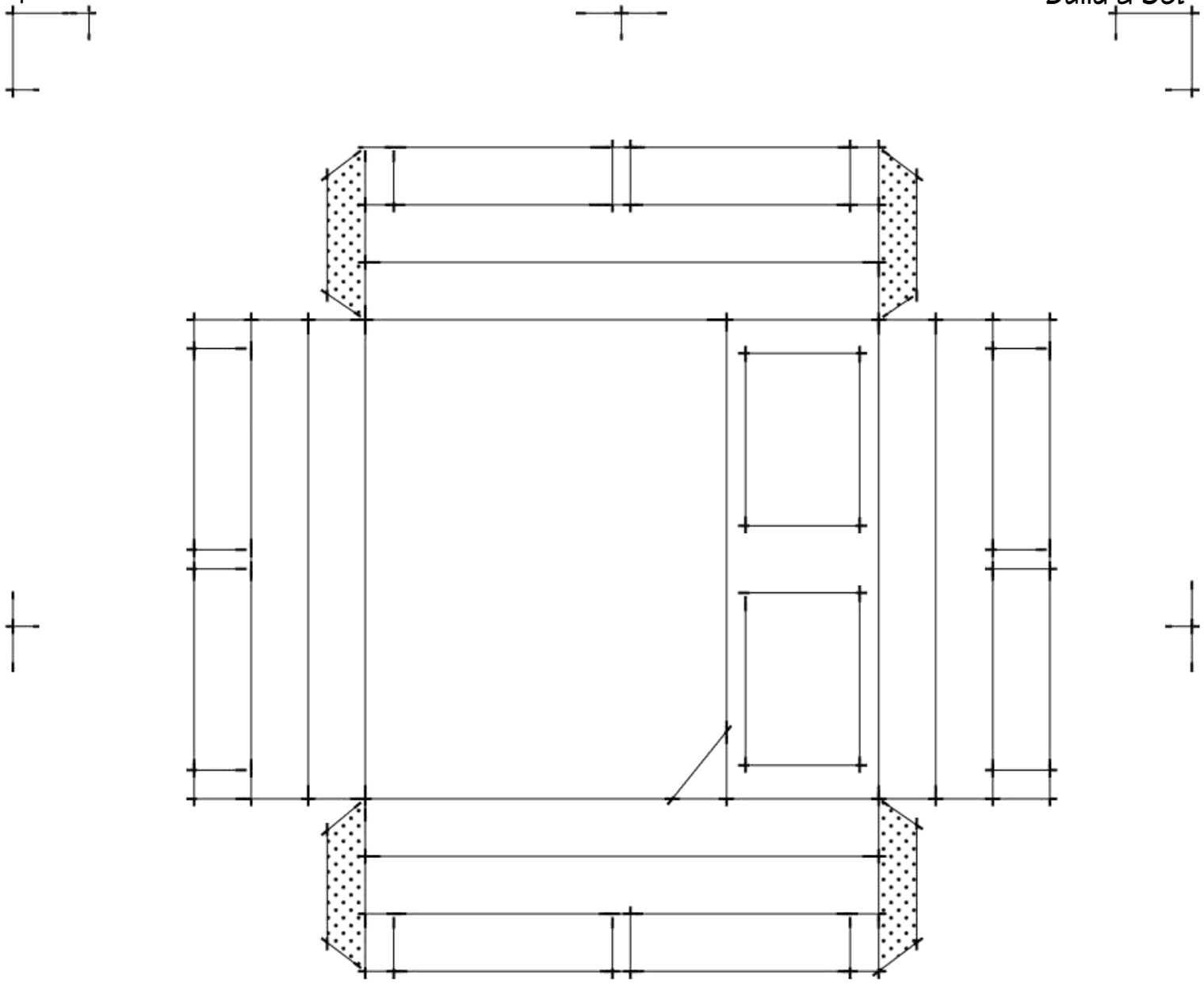


twin bed 39" x 75"



double bed 54" x 75"



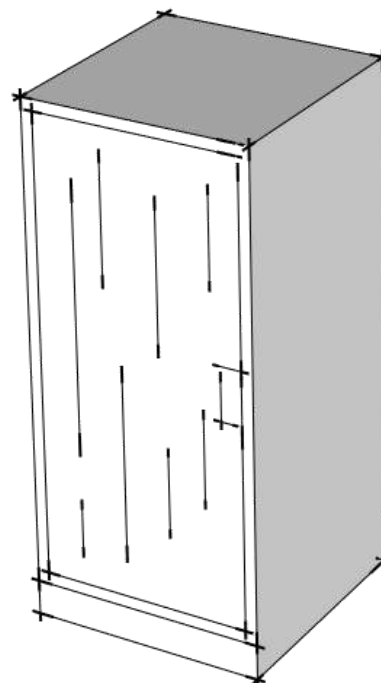
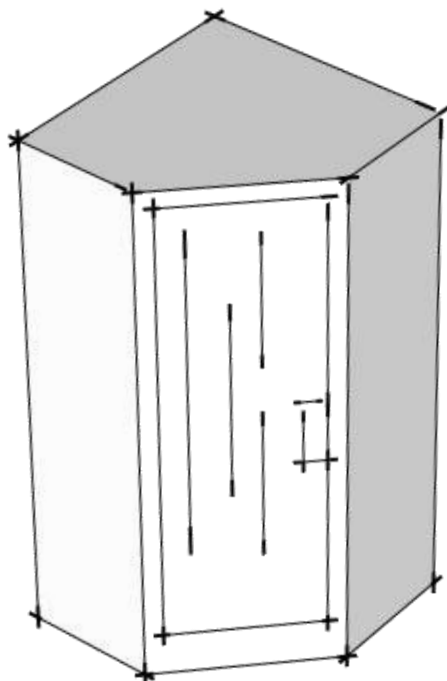
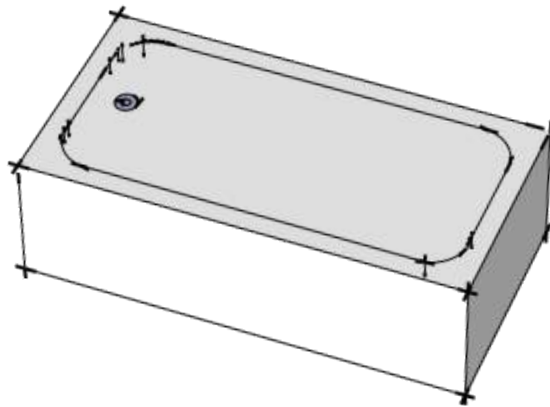
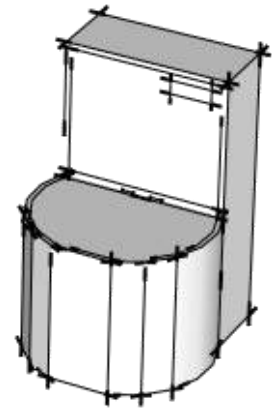
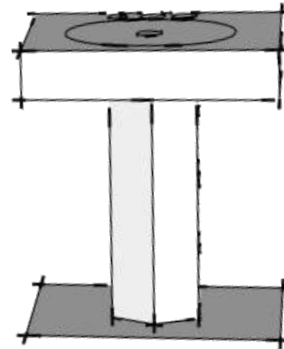
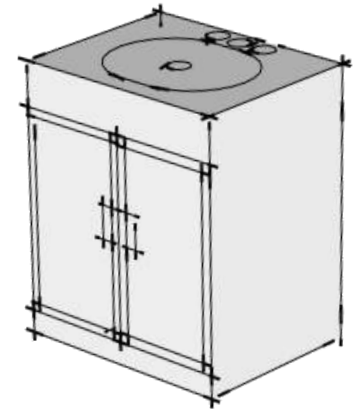


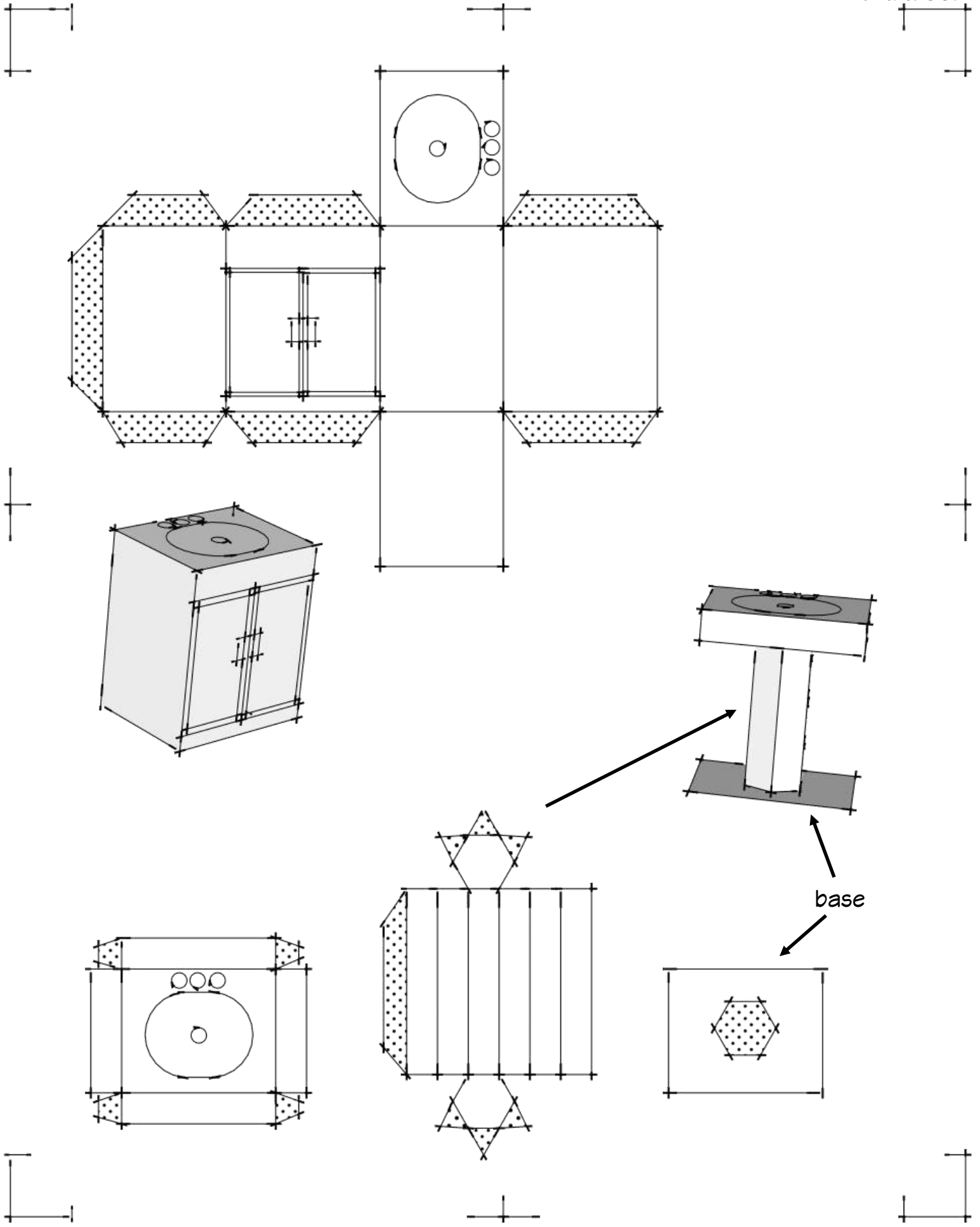
king size bed 76" x 80"

Chapters 4

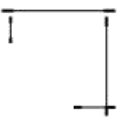
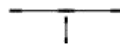
Bathroom

1. [Bathroom sinks](#)
2. [Toilet](#)
3. [Bathtub 60"](#)
4. [Shower stall 32" x 32"](#)
5. [Corner shower stall 36" x 36 "](#)

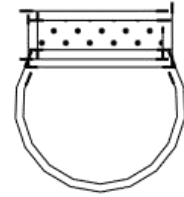
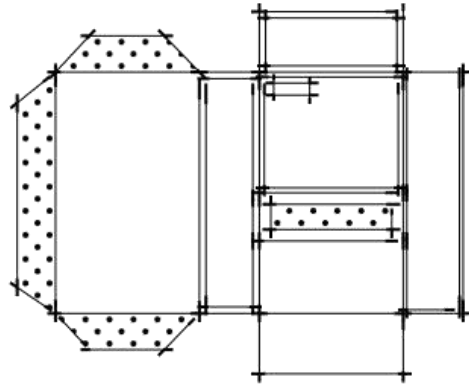




bathroom sinks

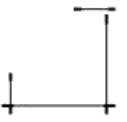
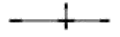
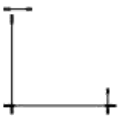
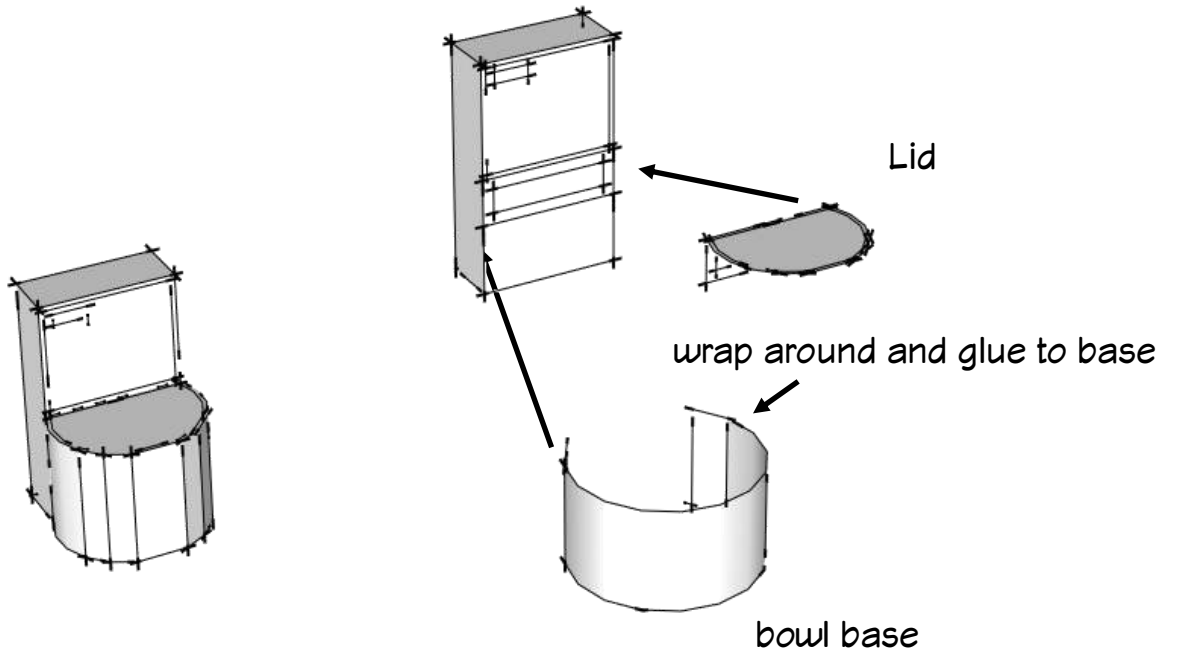


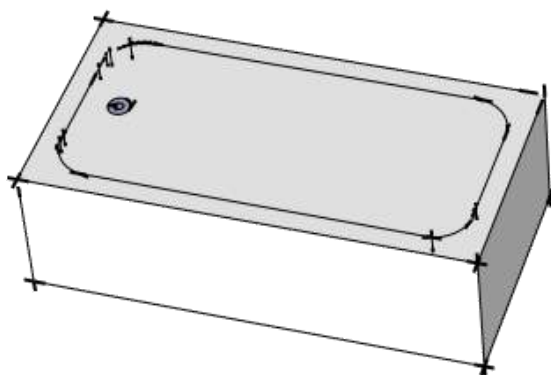
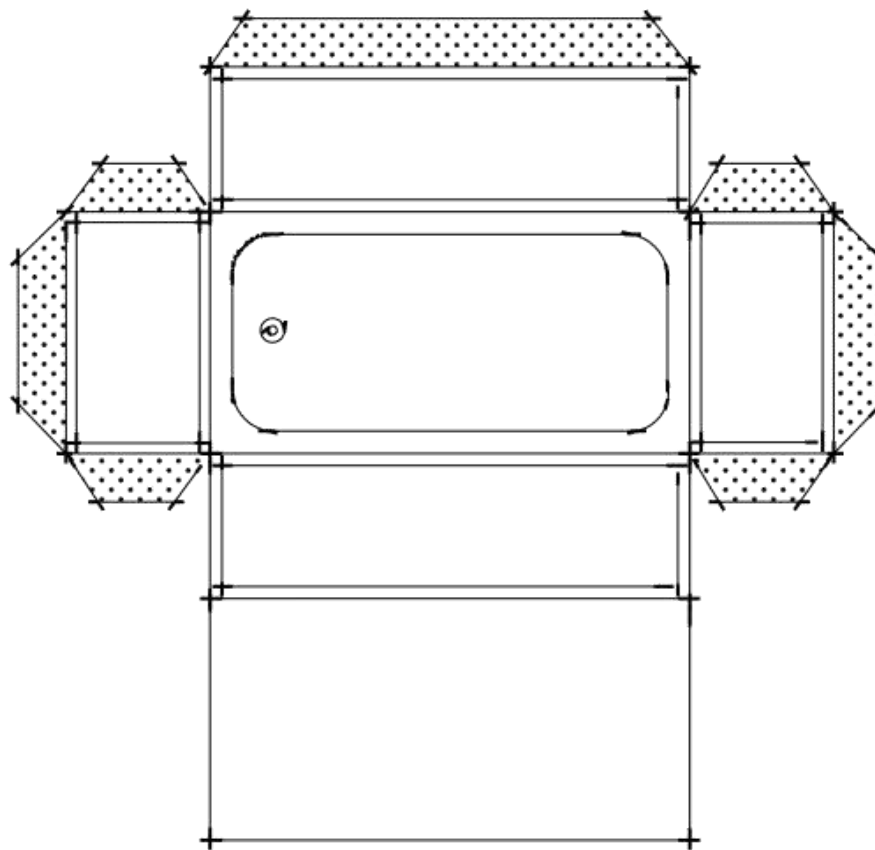
base

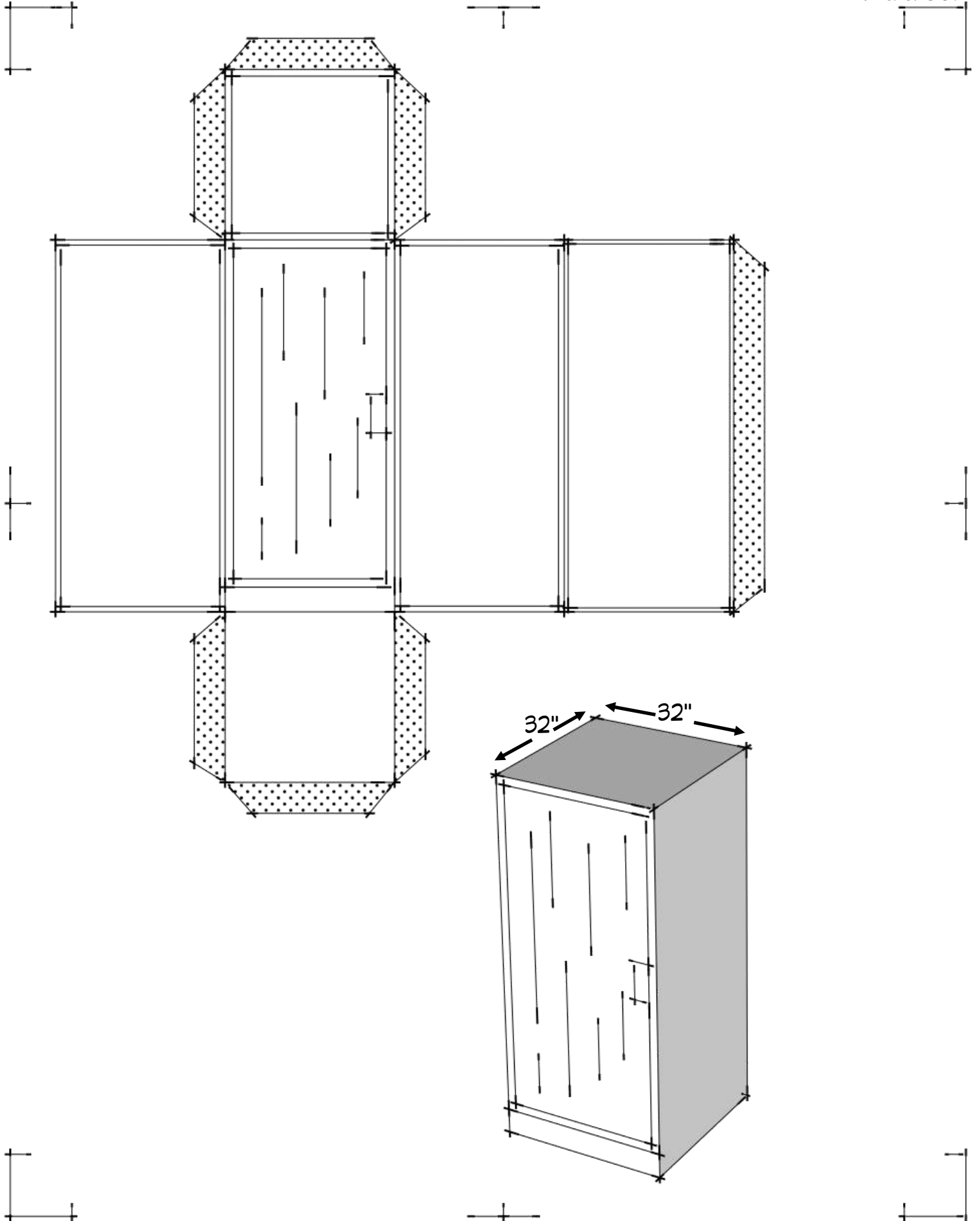


Lid

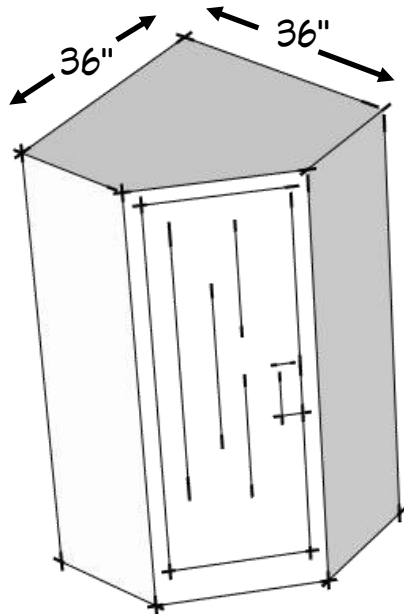
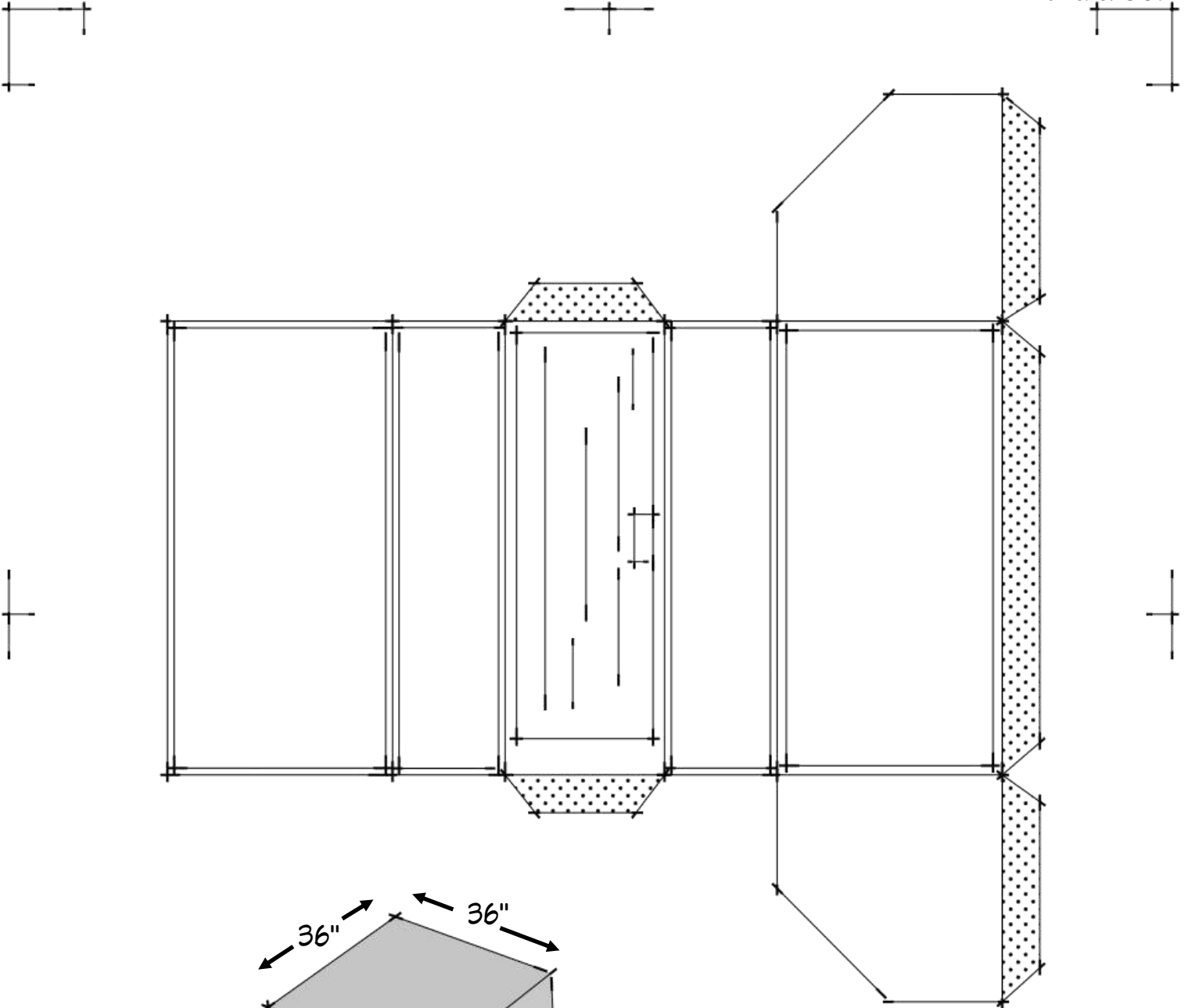
bowl base







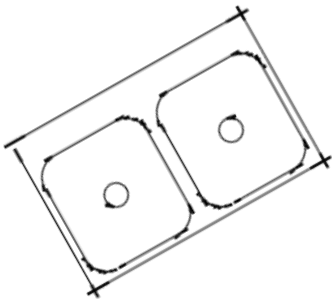
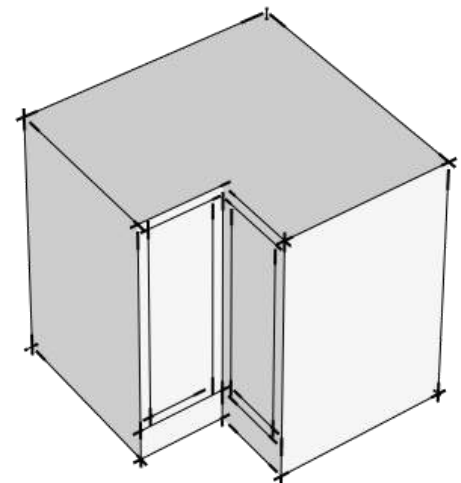
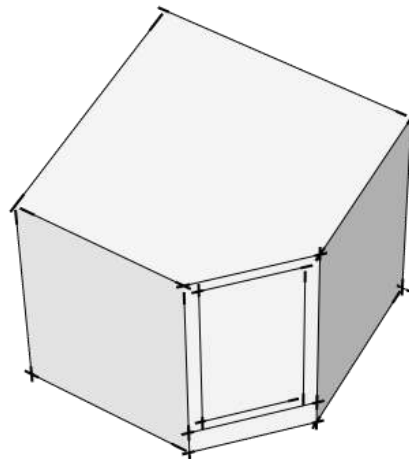
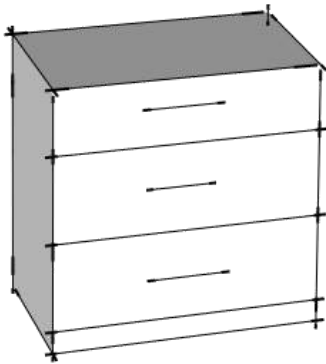
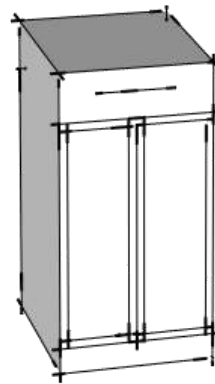
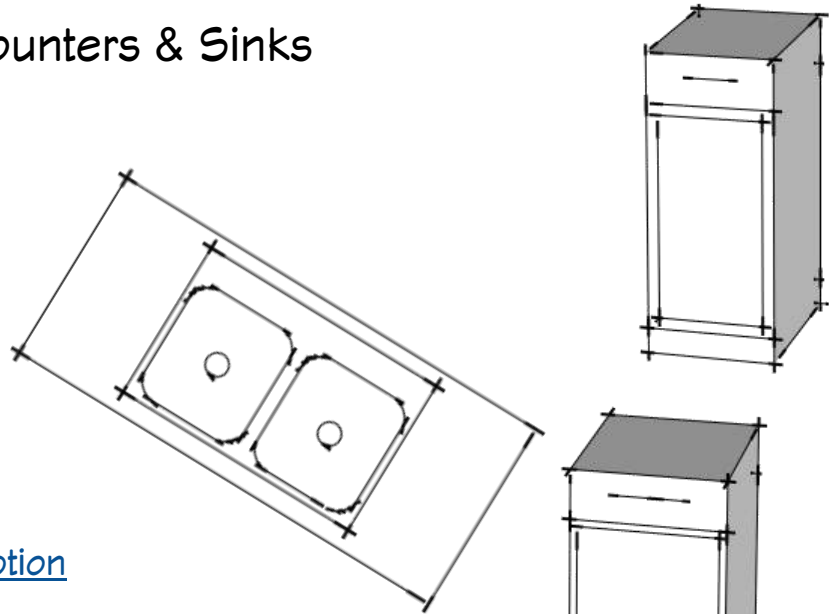
bathroom shower stall 32" x 32"

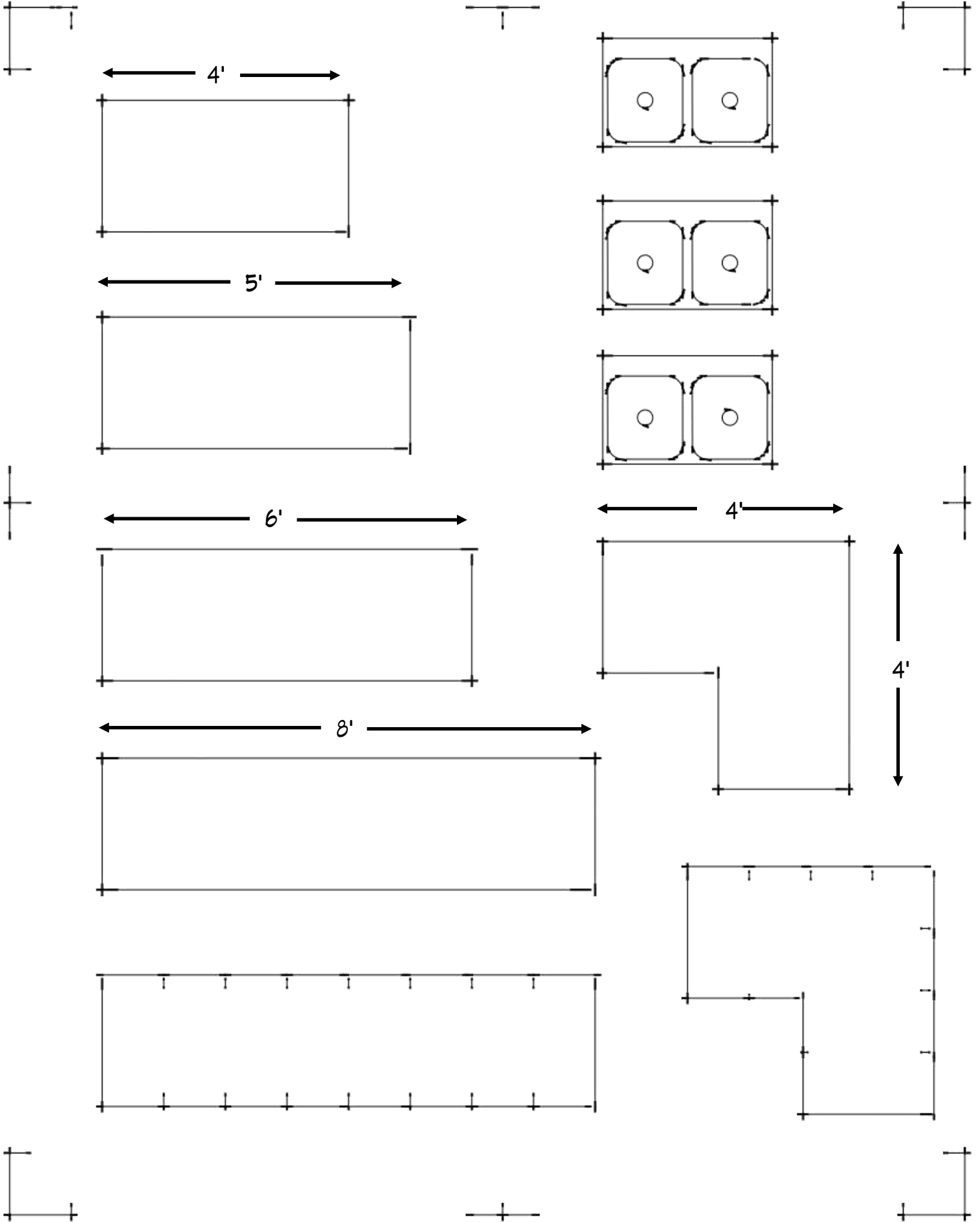


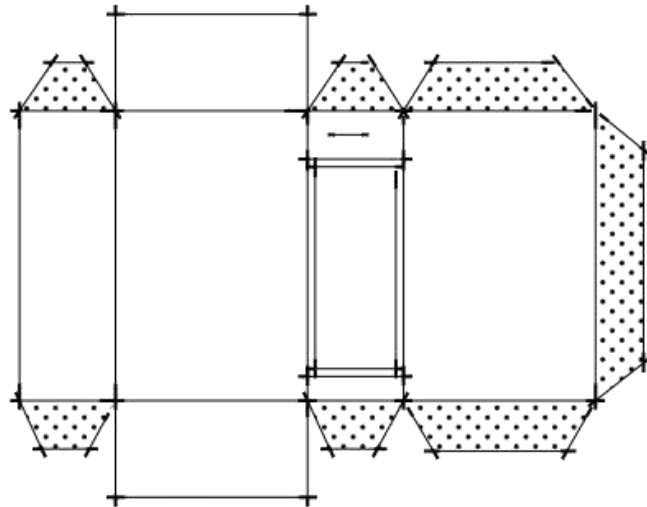
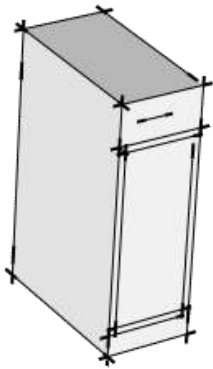
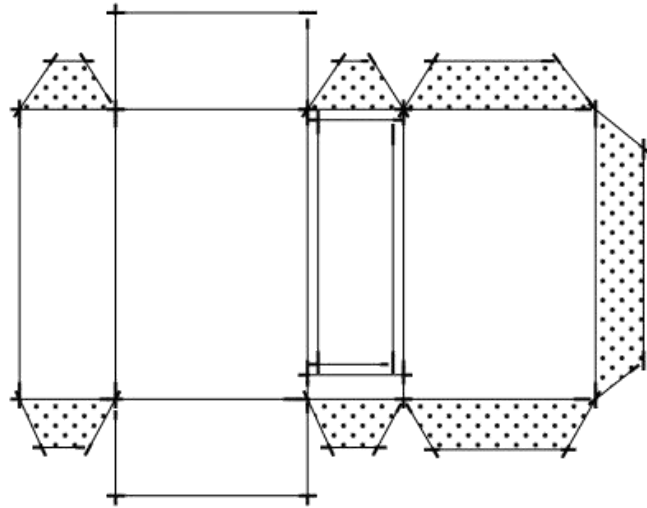
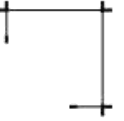
Chapters 5

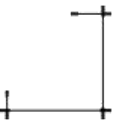
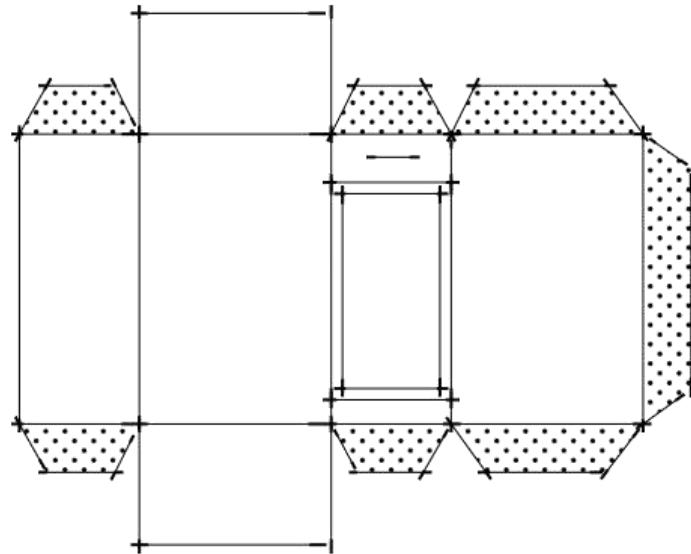
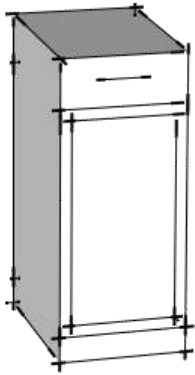
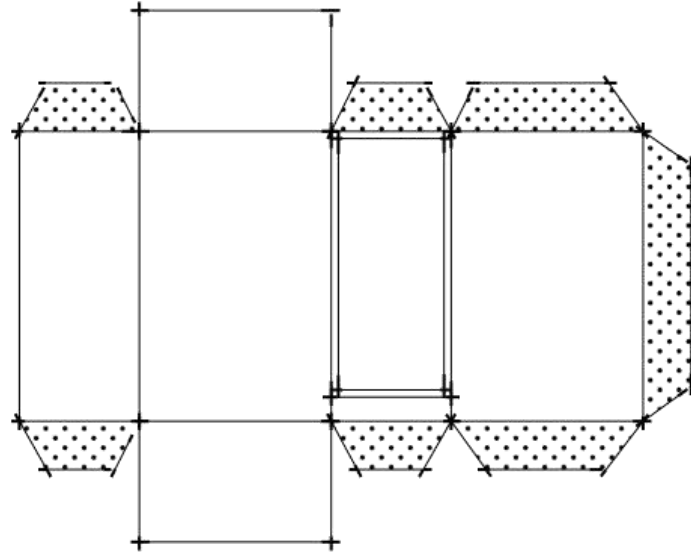
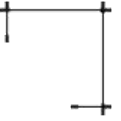
Kitchen Base Cabinets Counters & Sinks

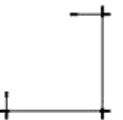
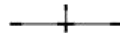
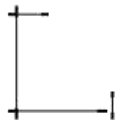
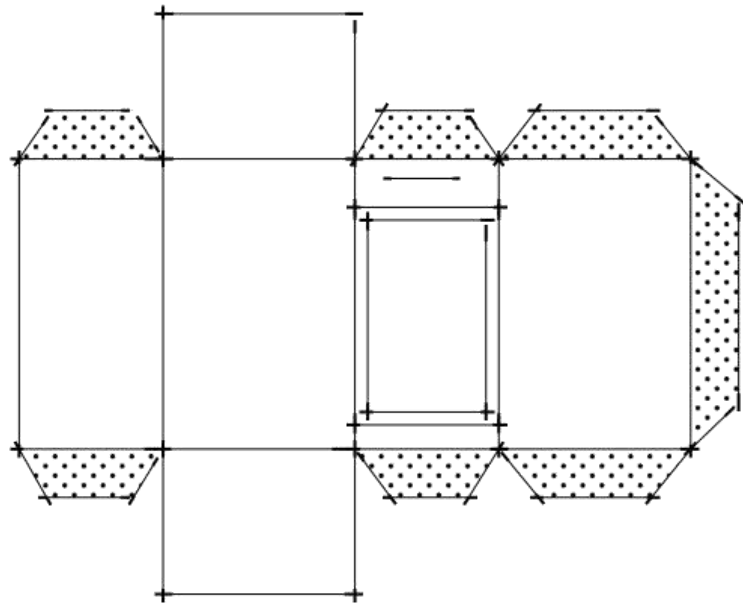
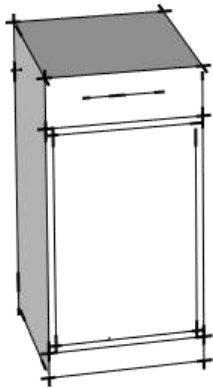
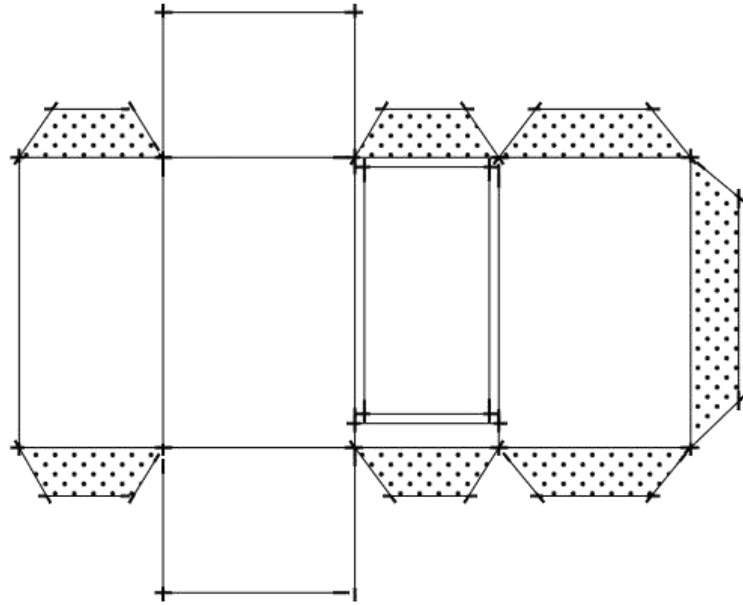
1. [Kitchen counter tops & sinks](#)
2. [Base cabinet 12"](#)
3. [Base cabinet 15"](#)
4. [Base cabinet 18"](#)
5. [Base cabinet 24"](#)
6. [Base cabinet 30"](#)
7. [Base cabinet 36" with sink option](#)
8. [Base corner cabinet angled door](#)
9. [Base corner cabinet notched door](#)
10. [Base cabinet 15" & 18" with drawers](#)
11. [Base cabinet 24" & 30" with drawers](#)
12. [Base cabinet 36" with drawers](#)

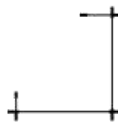
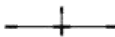
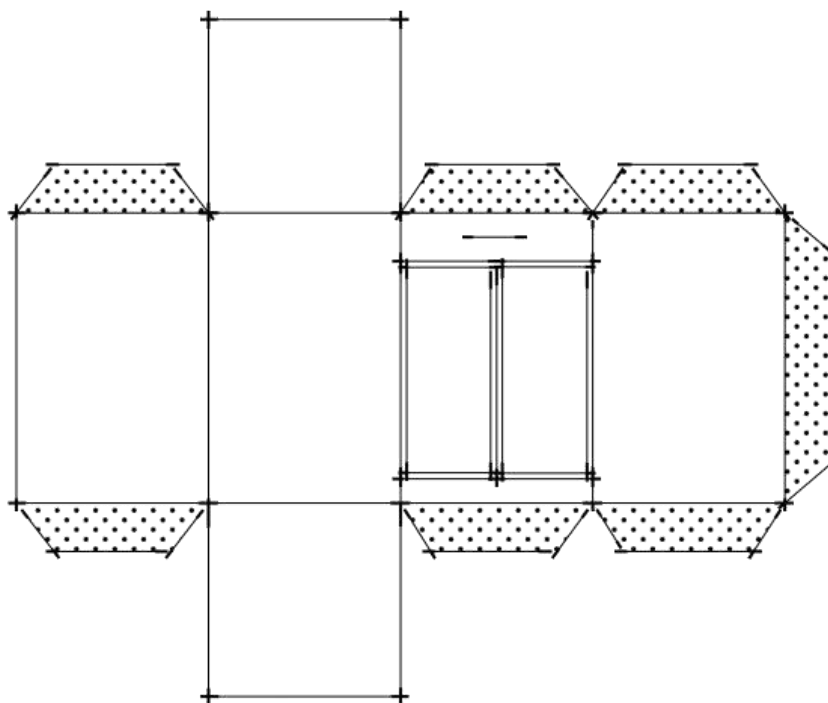
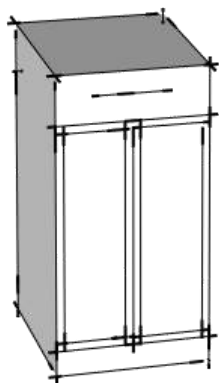
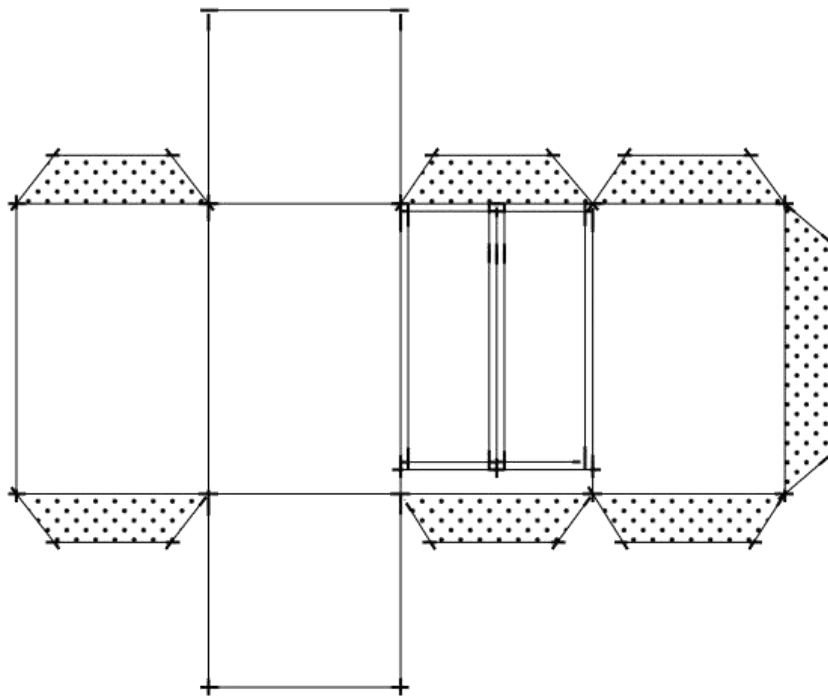
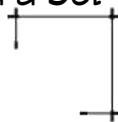
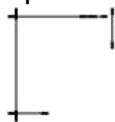


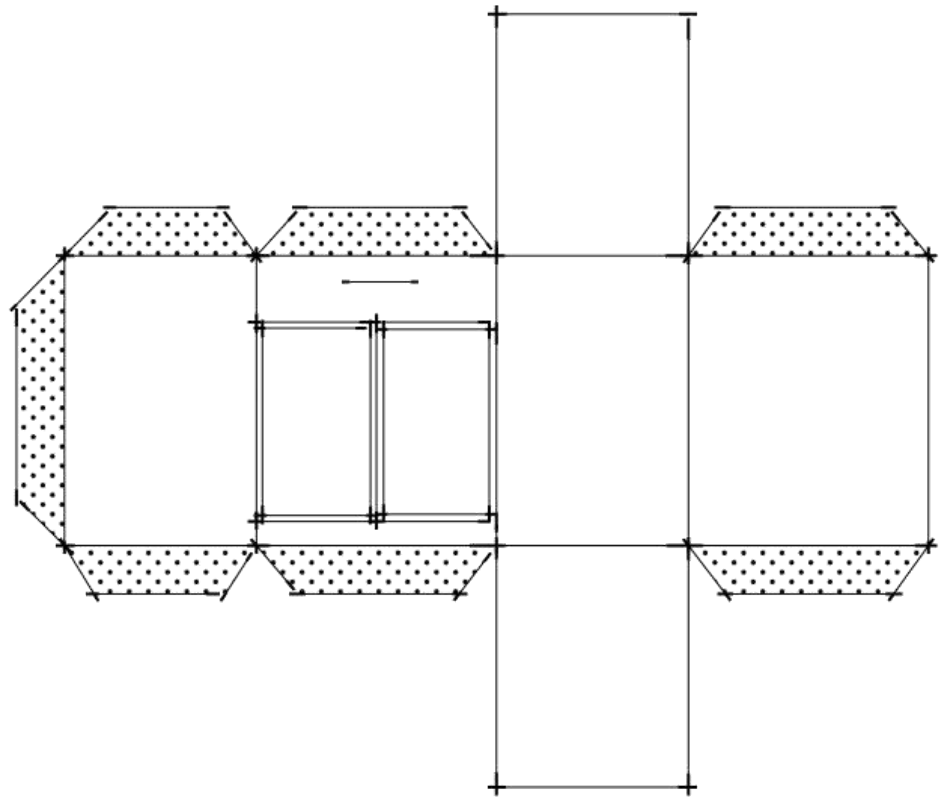
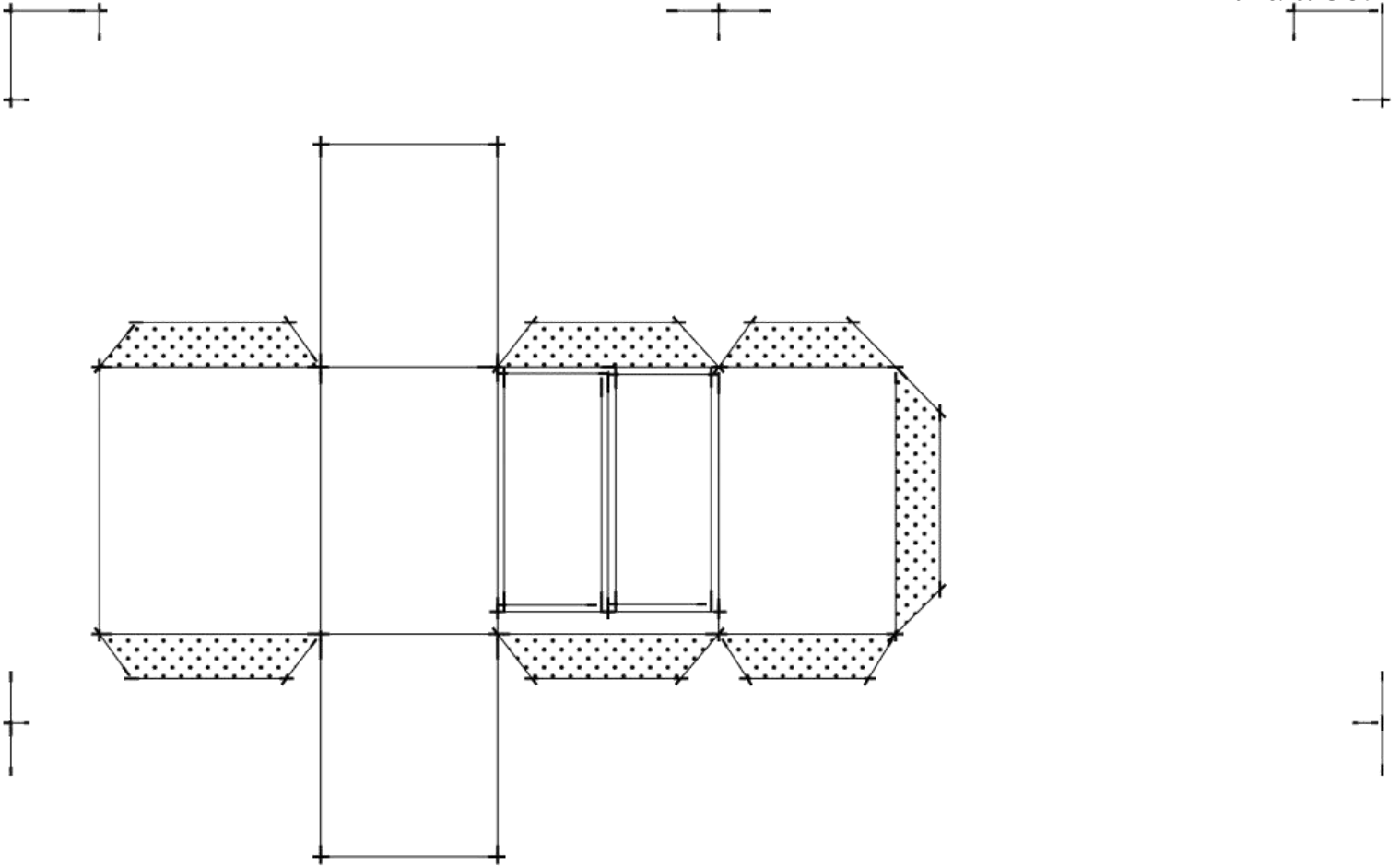


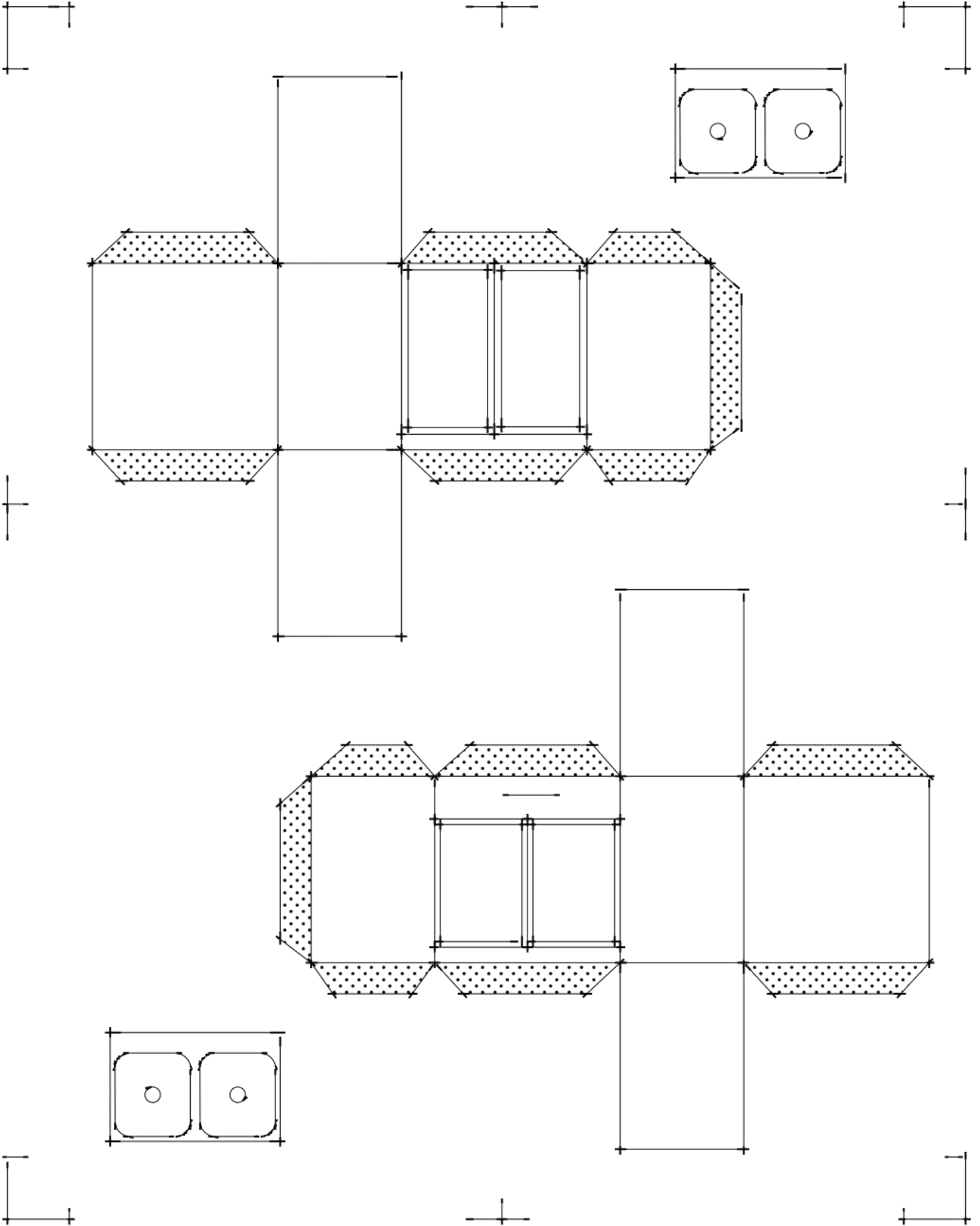




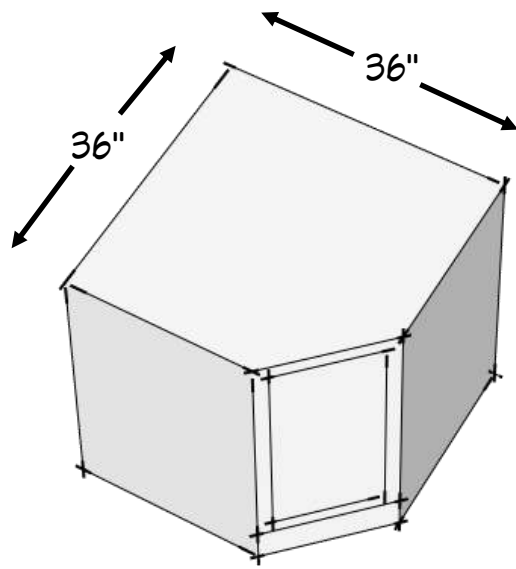
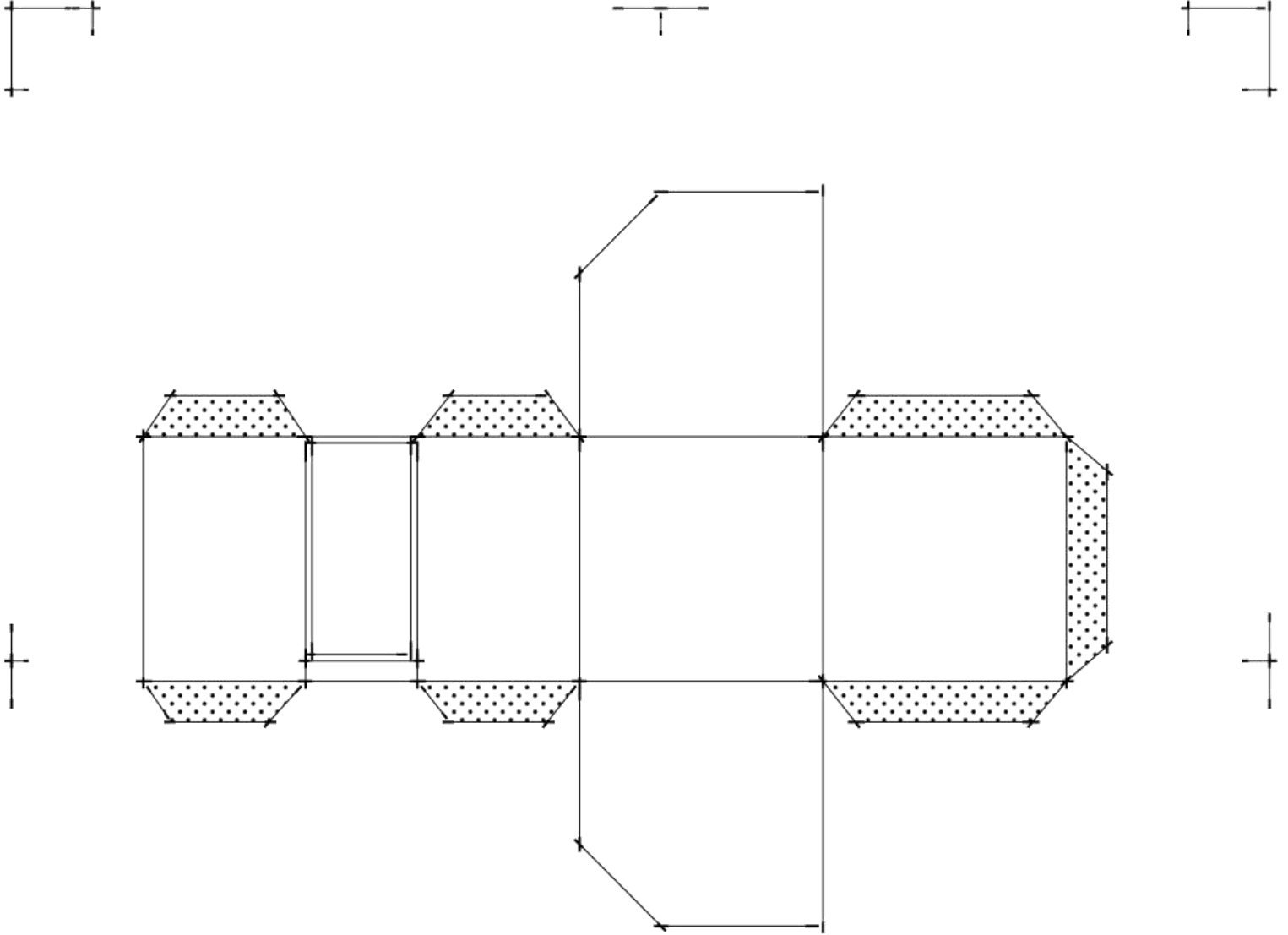




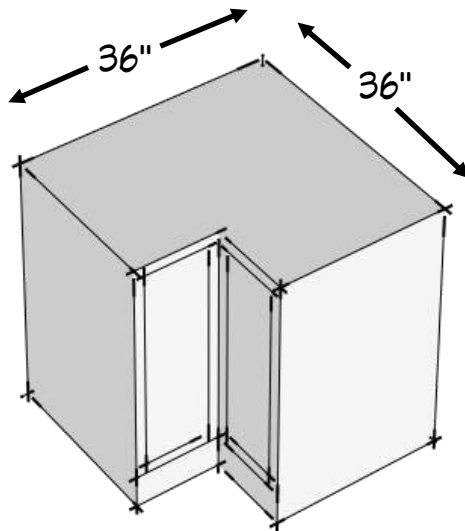
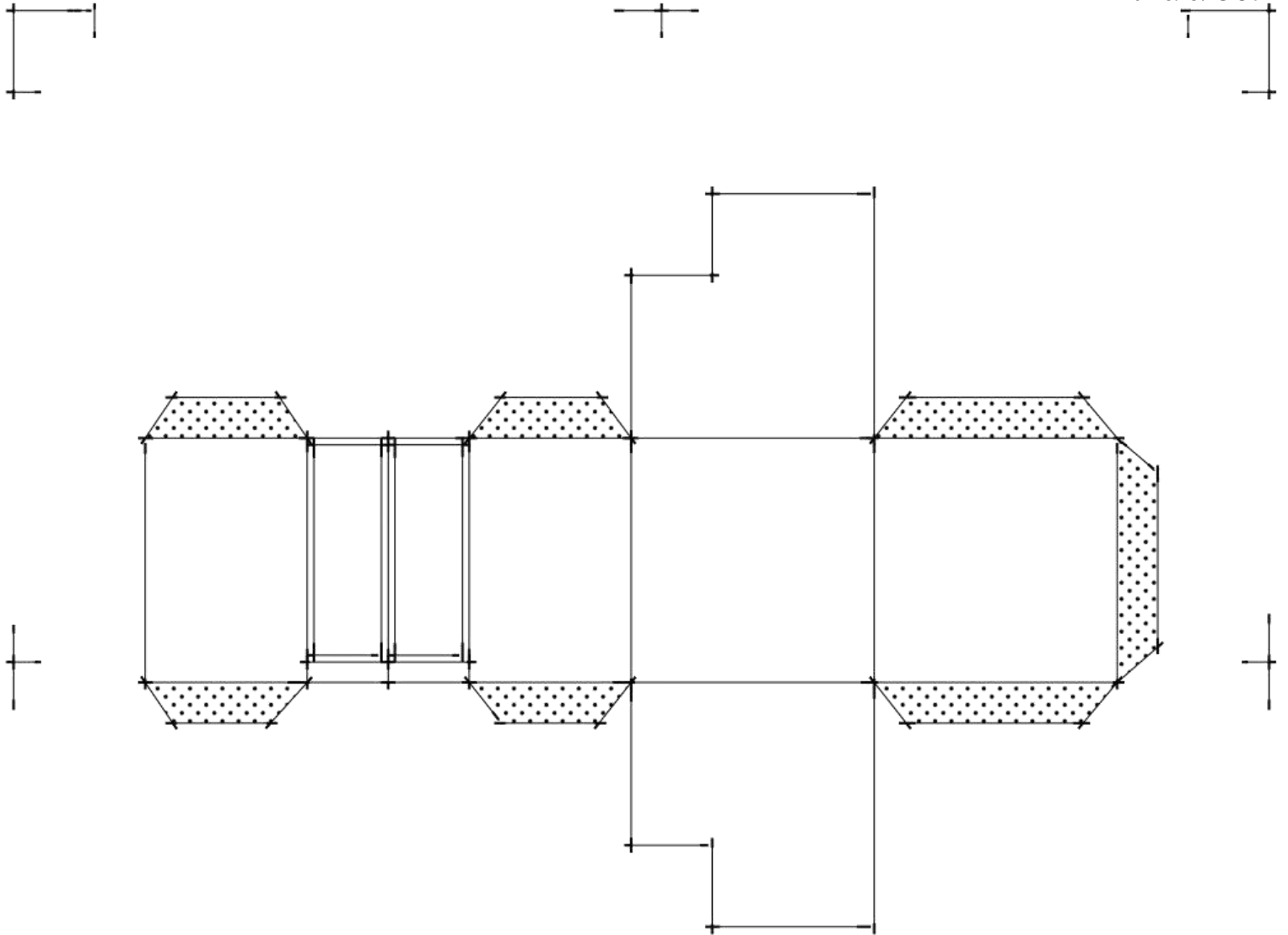




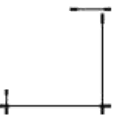
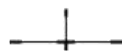
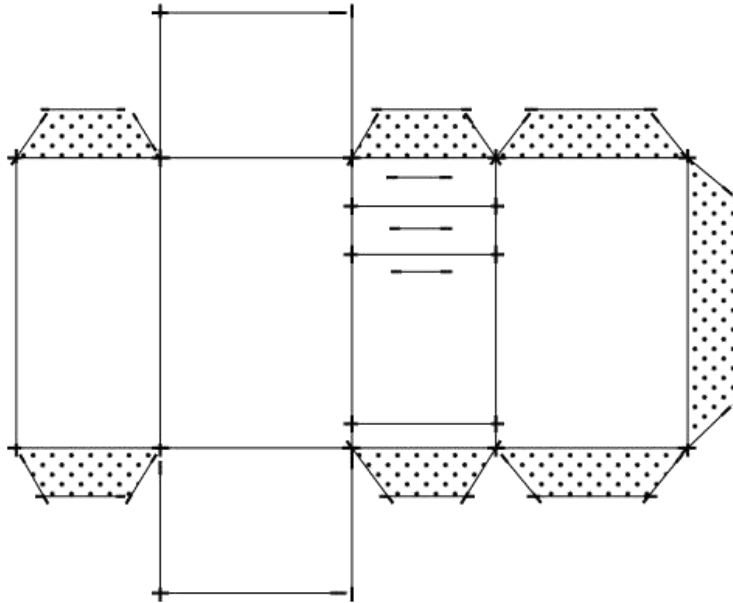
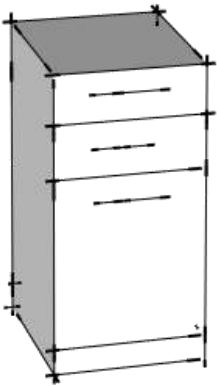
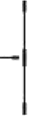
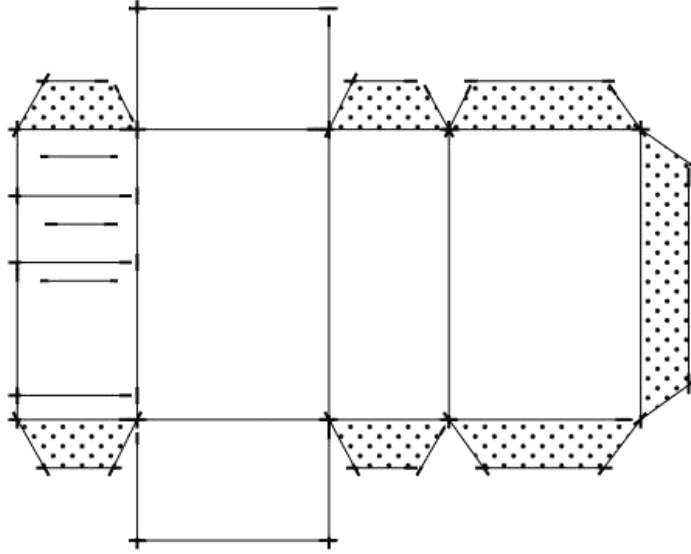
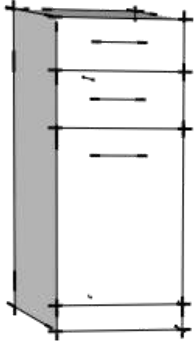
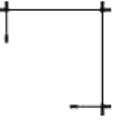
kitchen lower cabinet 36" with sink

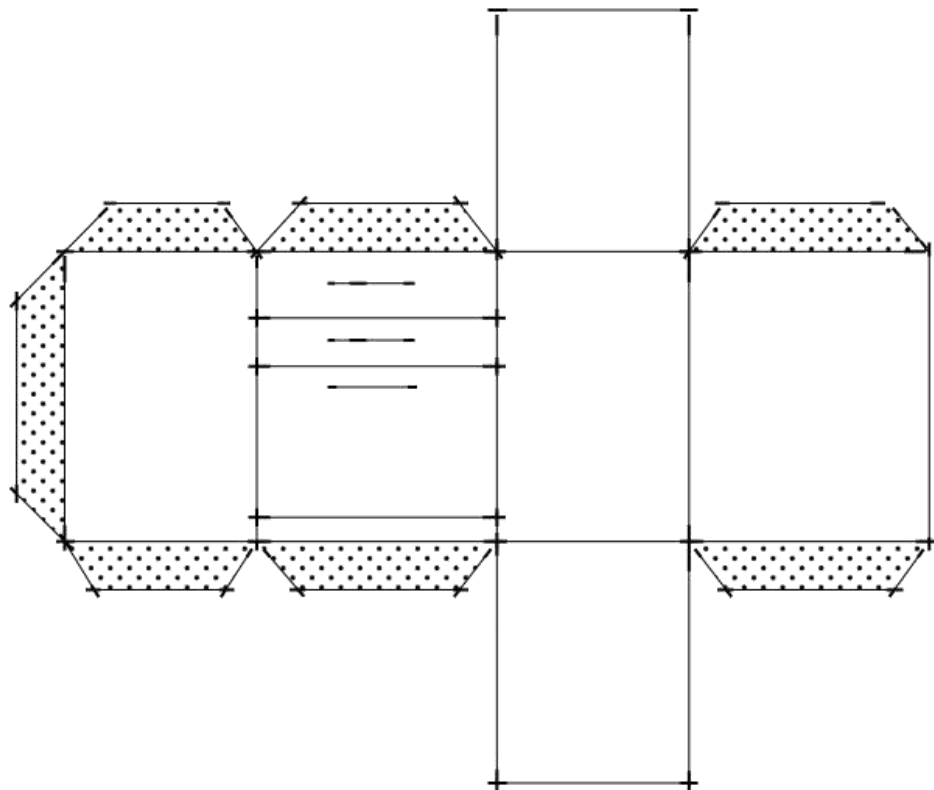
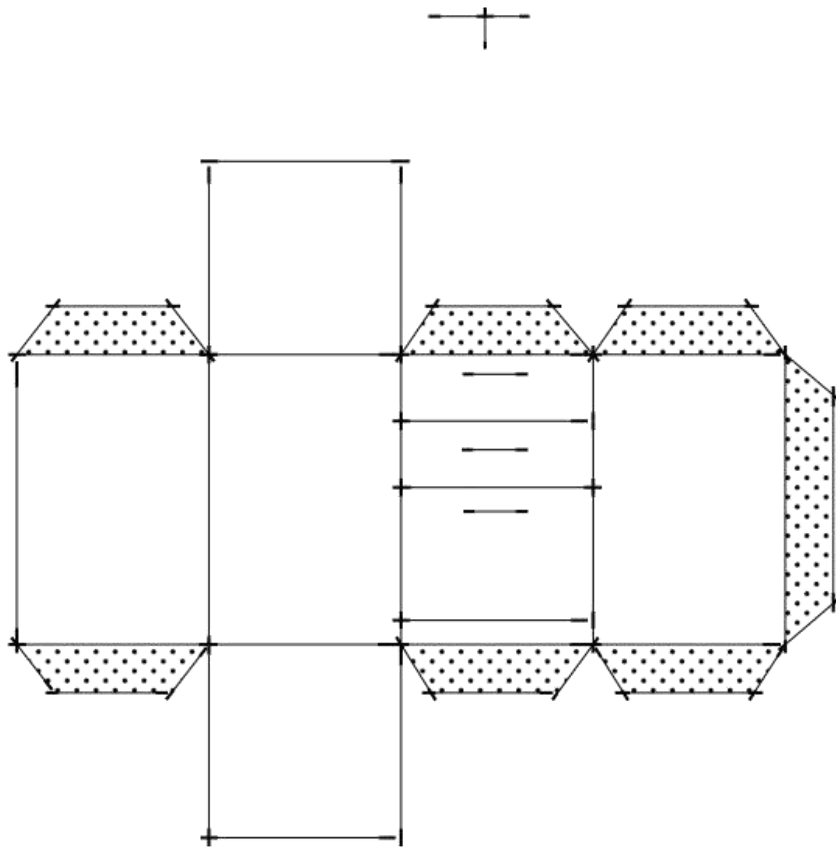


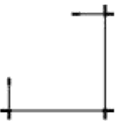
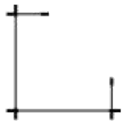
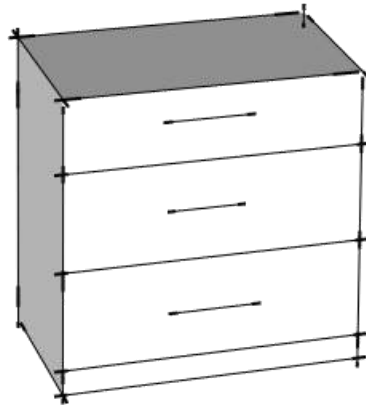
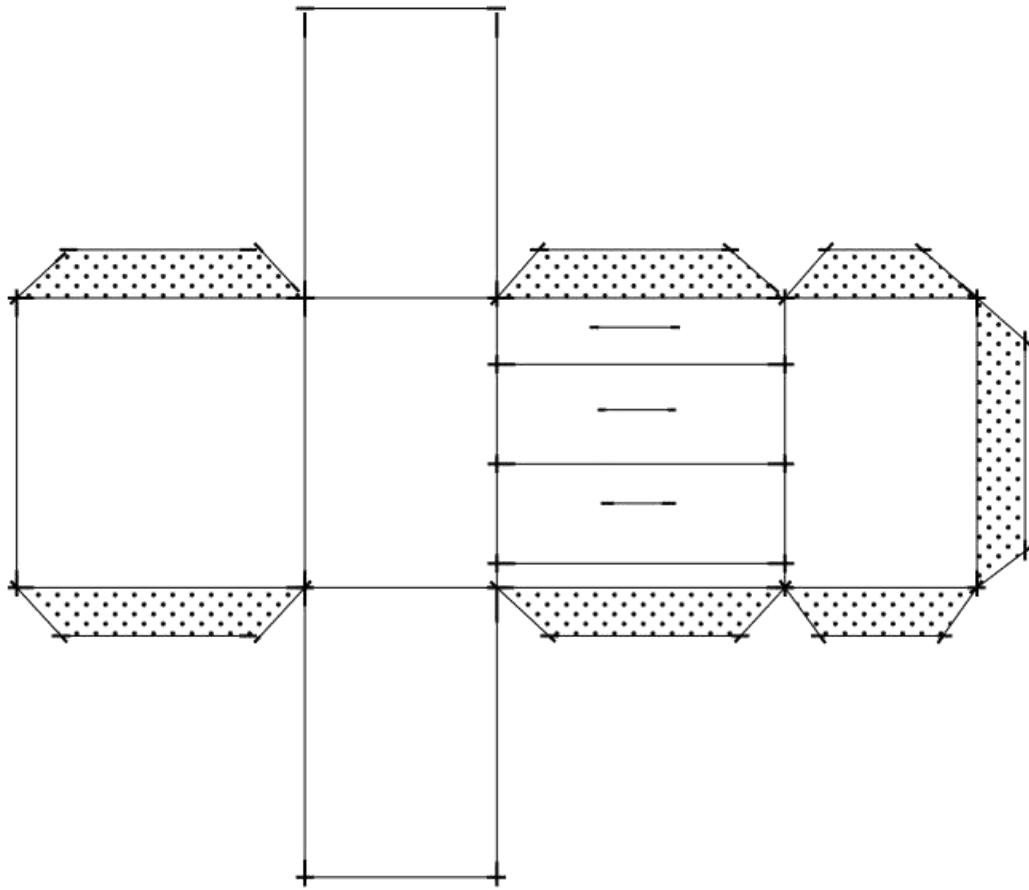
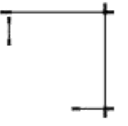
kitchen lower corner cabinet angled door 36" x 36"



kitchen lower corner cabinet notched door 36" x 36"



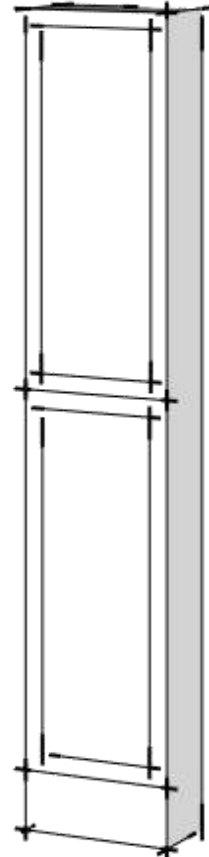
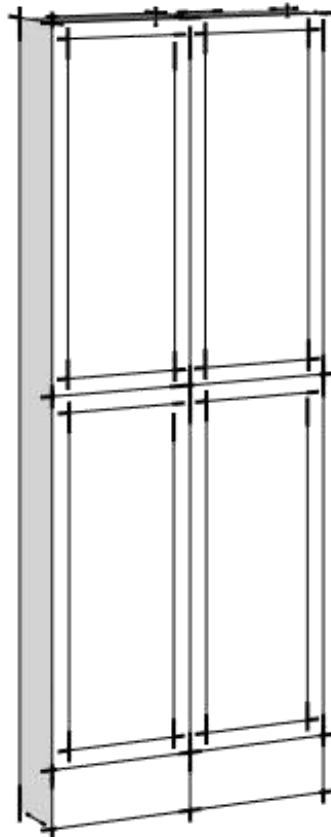
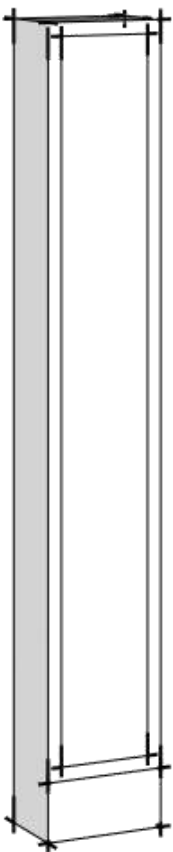
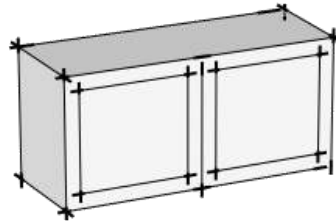


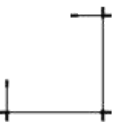
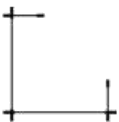
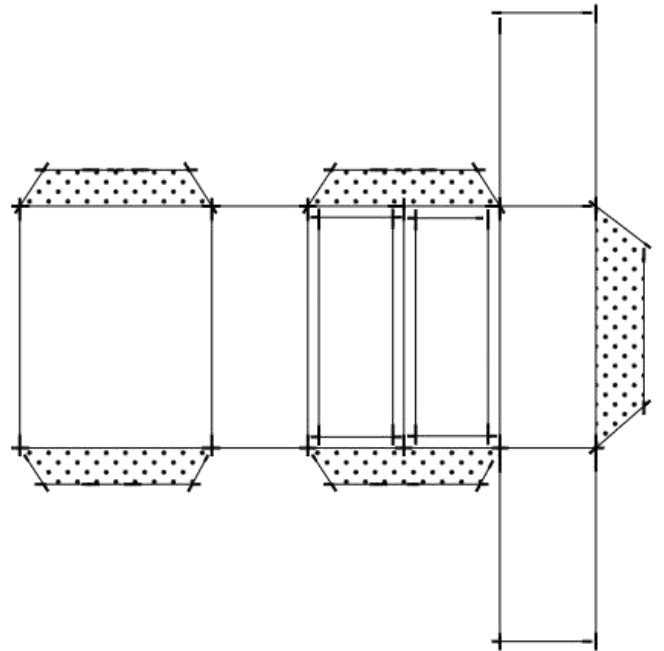
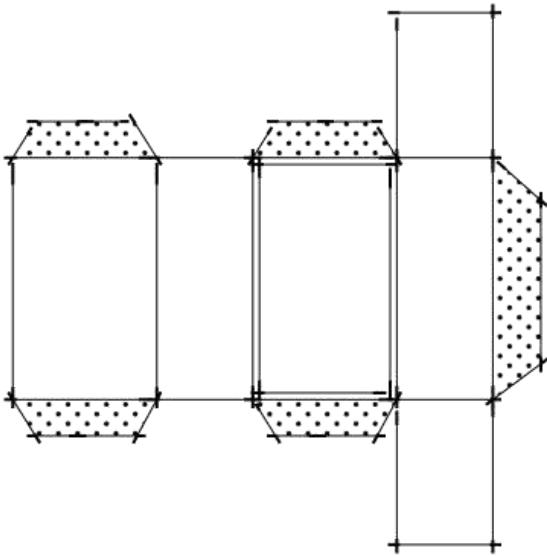
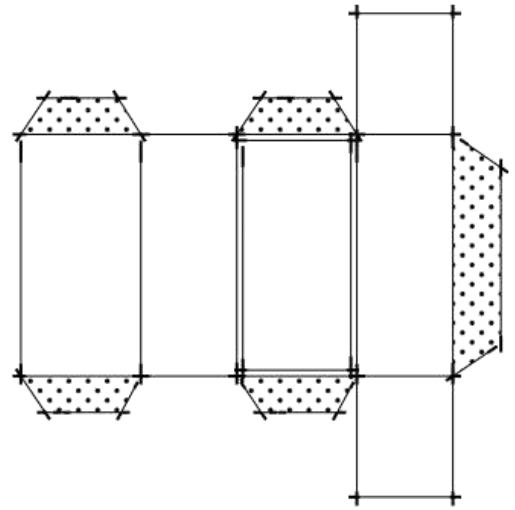
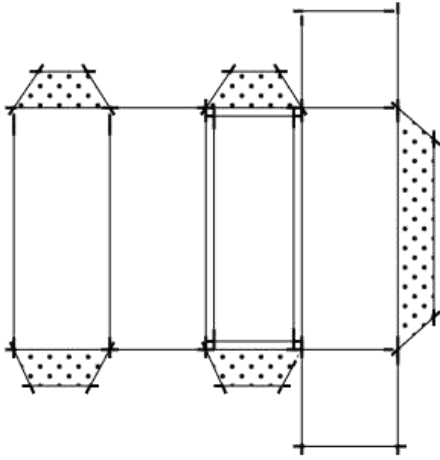
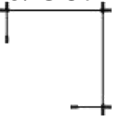


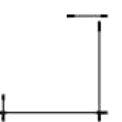
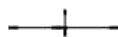
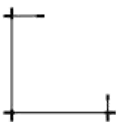
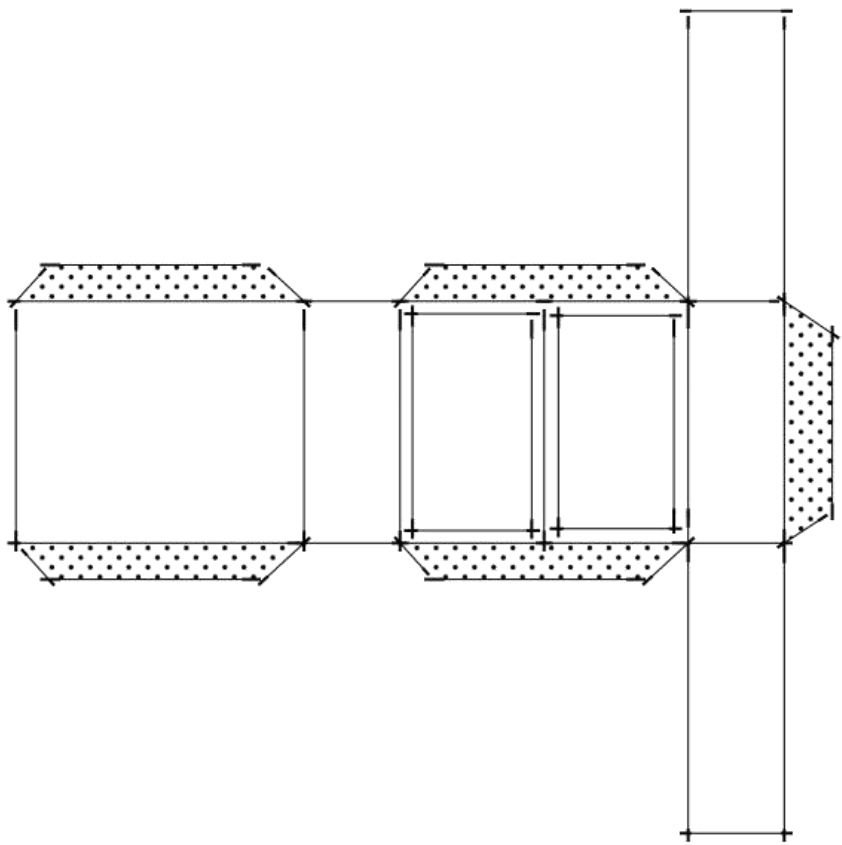
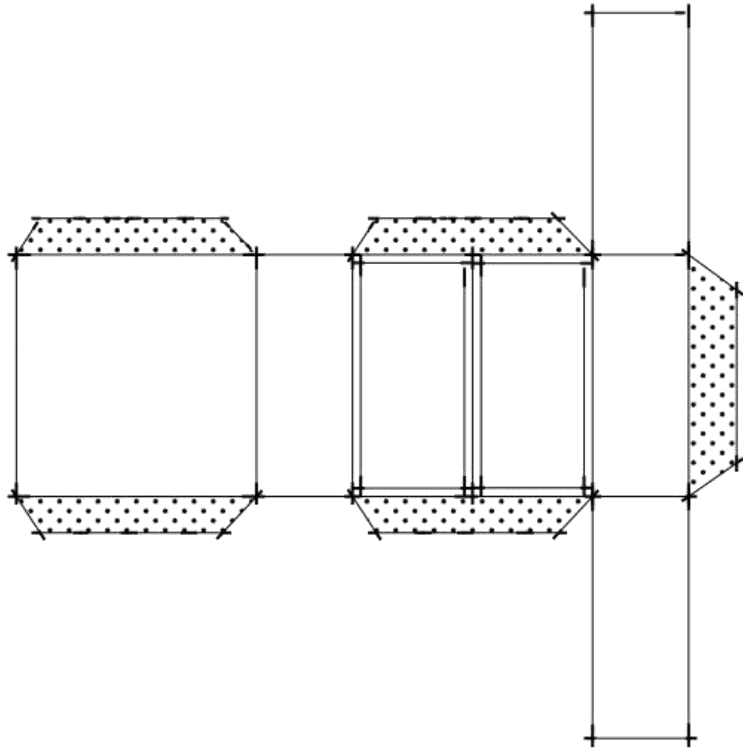
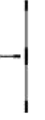
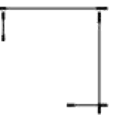
Chapters 6

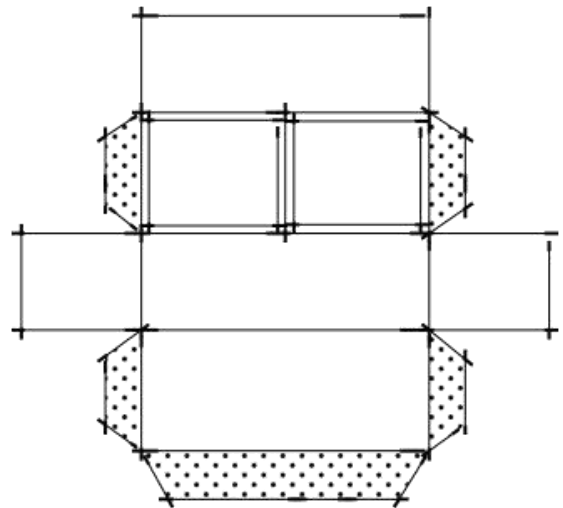
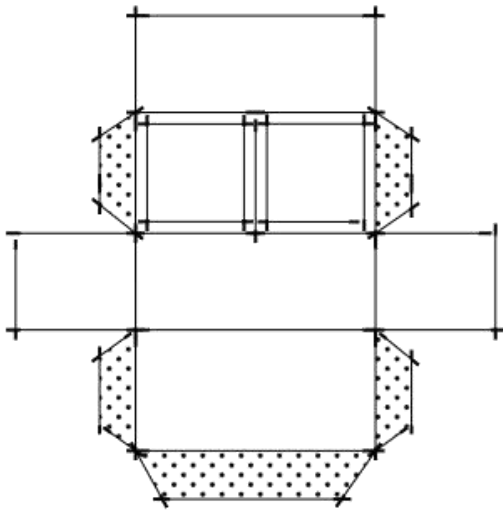
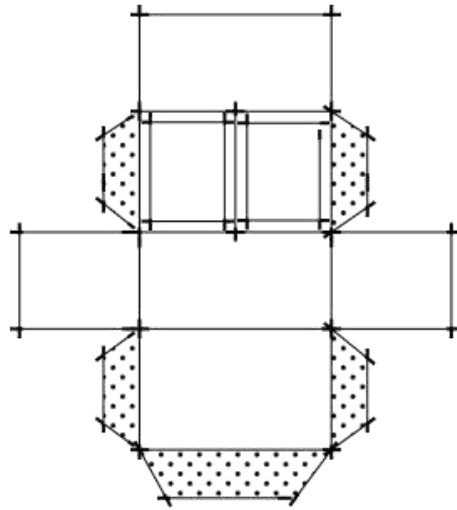
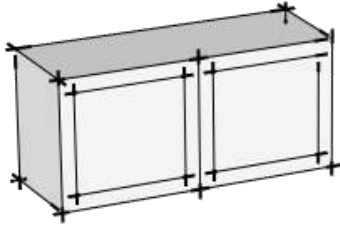
Kitchen Upper Cabinets & Pantries

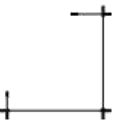
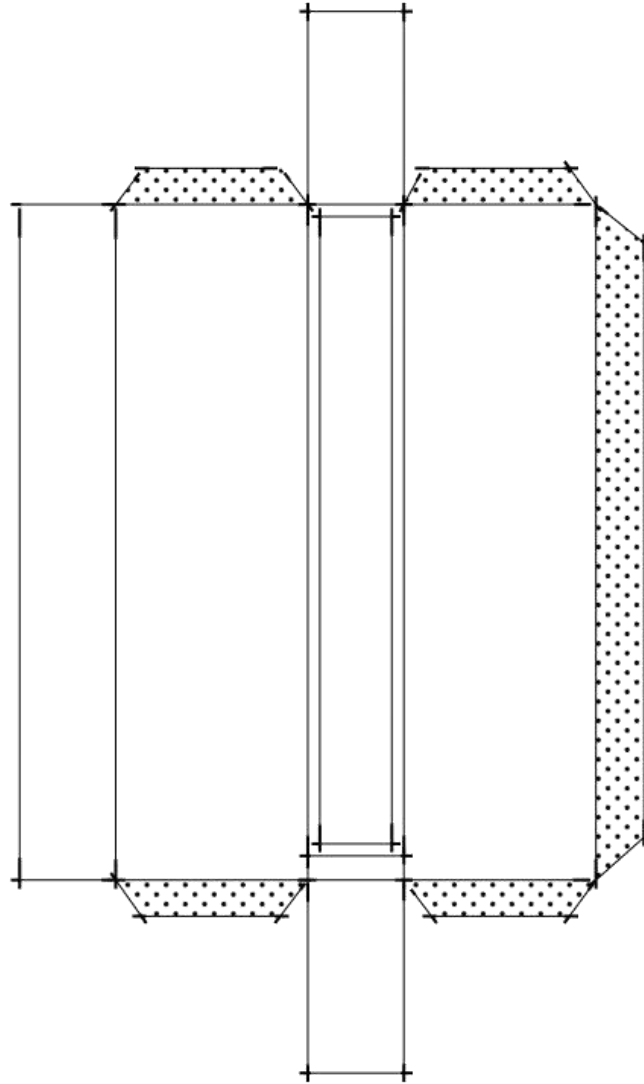
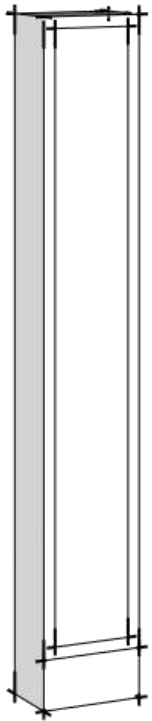
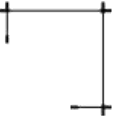
1. [Upper cabinet 12", 15", 18" & 24 "](#)
2. [Upper cabinet 30" & 36"](#)
3. [Upper cabinet 12" high x 24", 30" & 36"](#)
4. [Pantry 12" x 80" high](#)
5. [Pantry 15" x 80" high](#)
6. [Pantry 30" x 80" high](#)

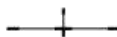
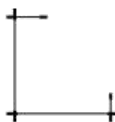
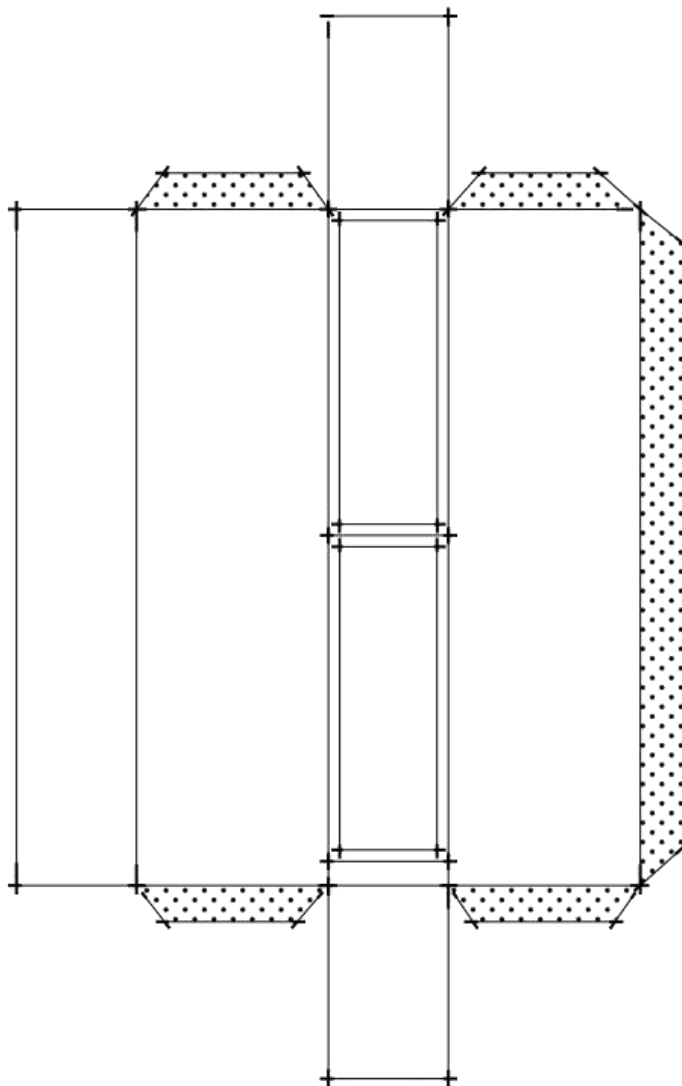
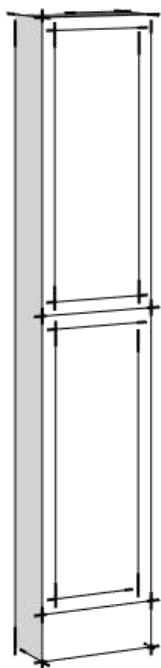
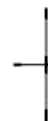
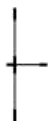
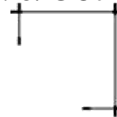
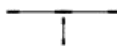


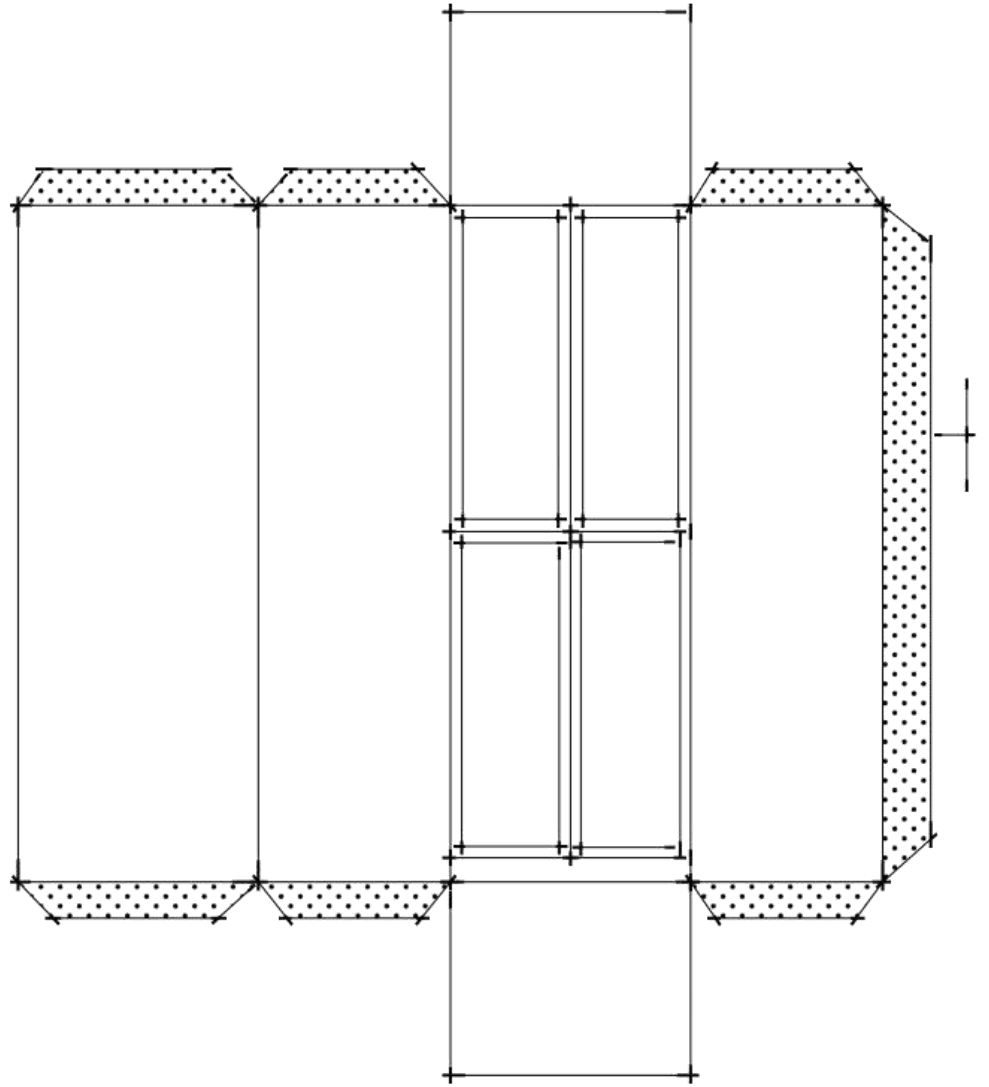
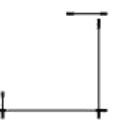
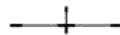
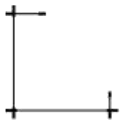
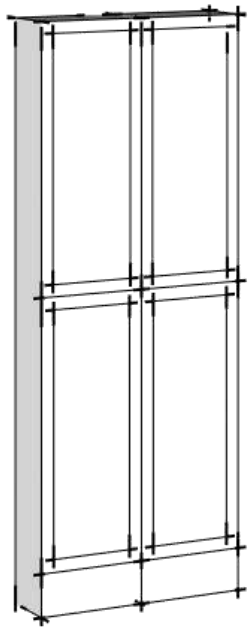
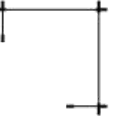








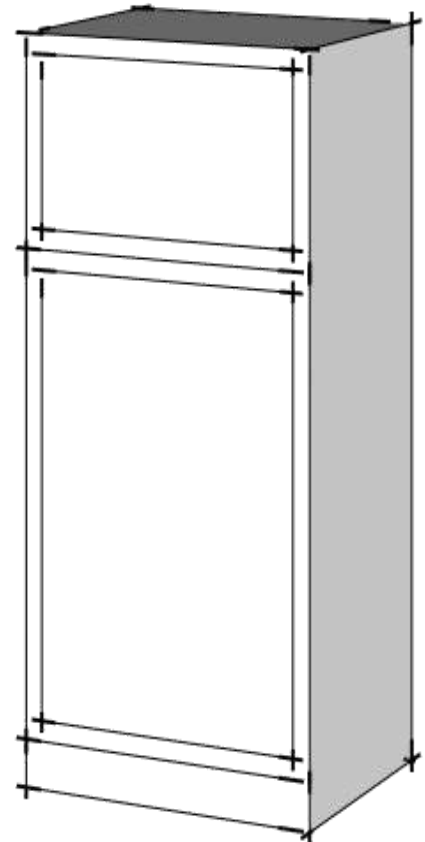
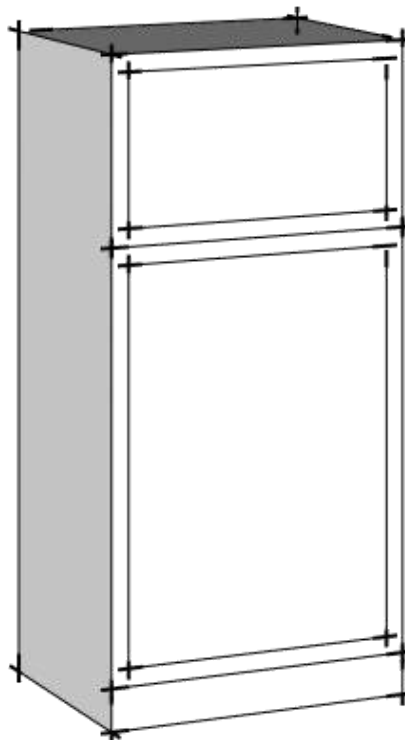
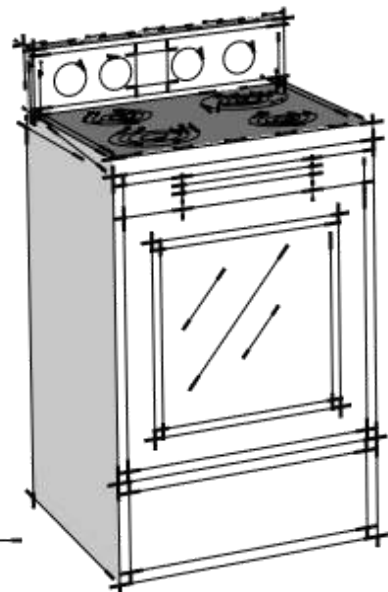
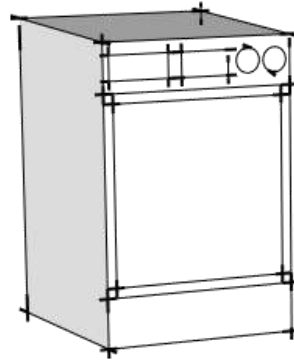
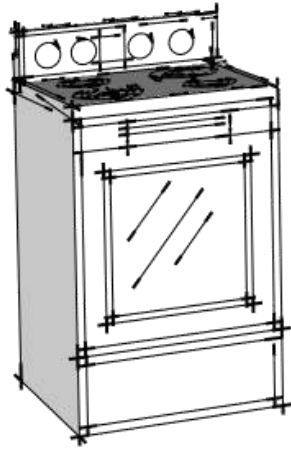
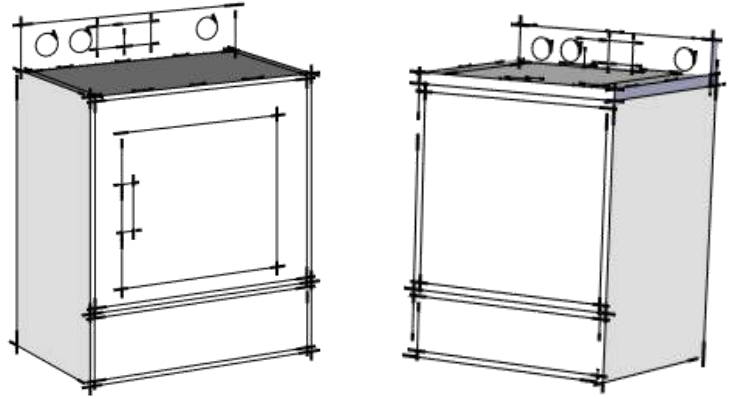


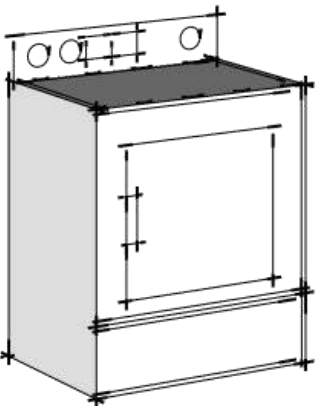
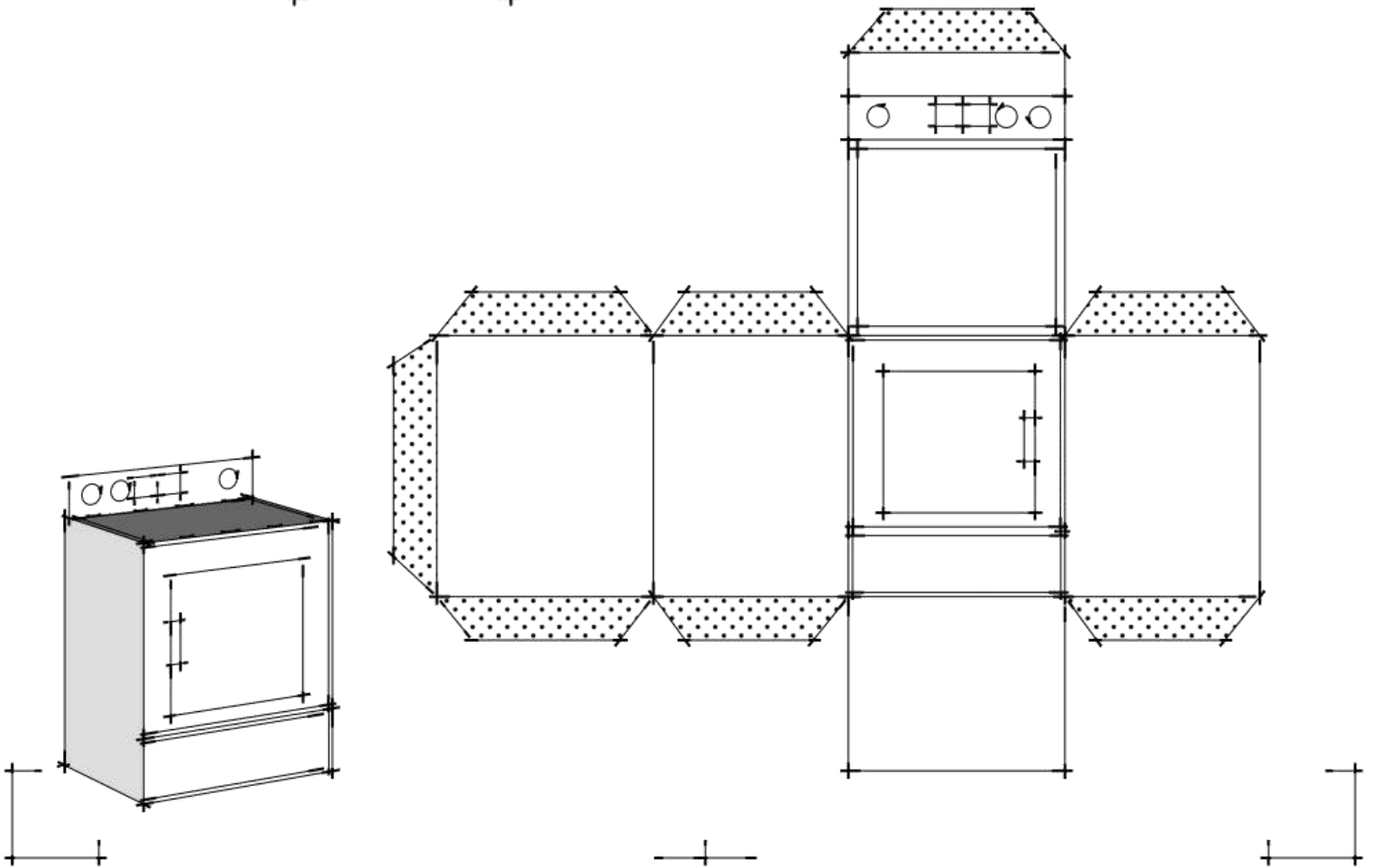
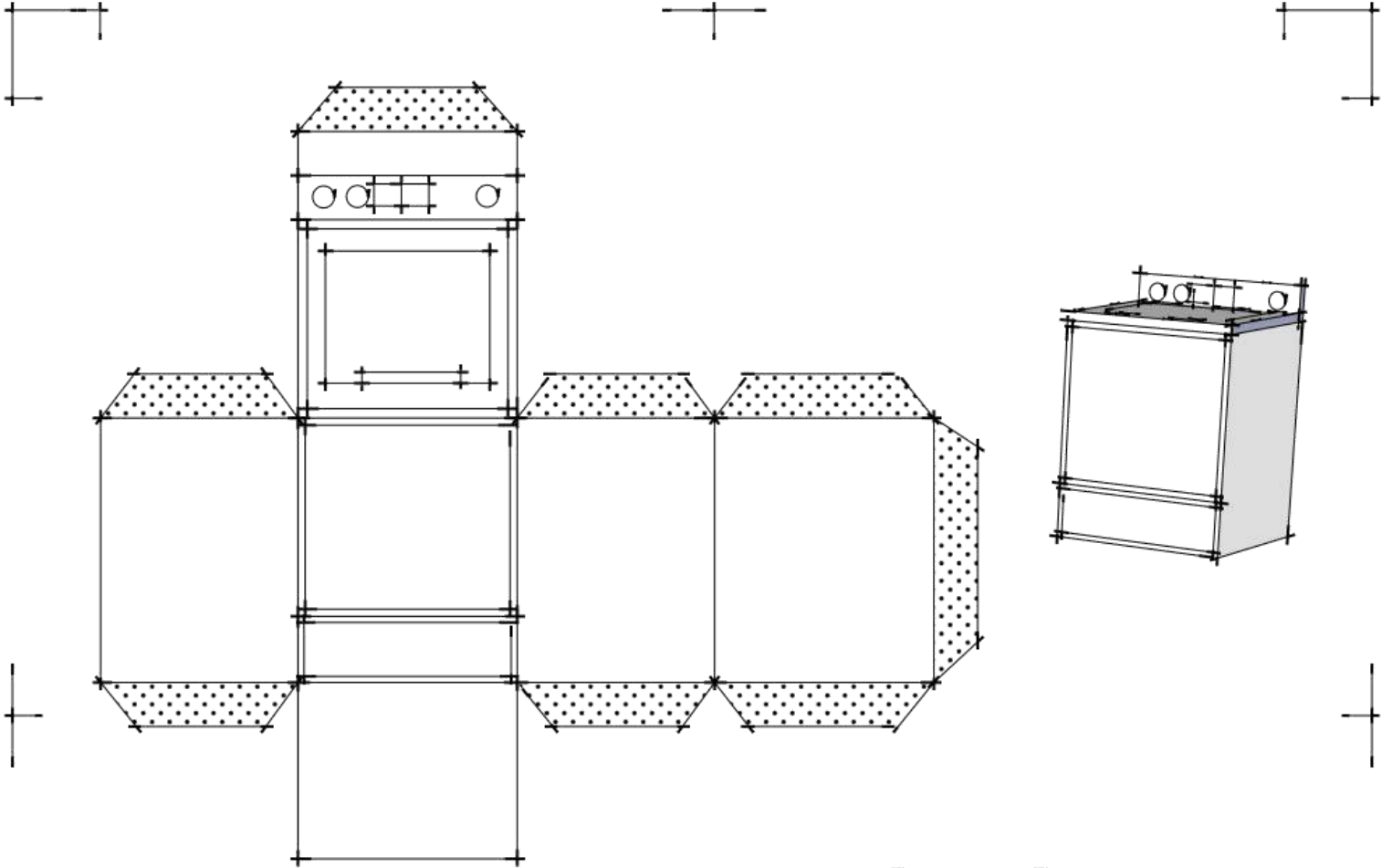


Chapters 7

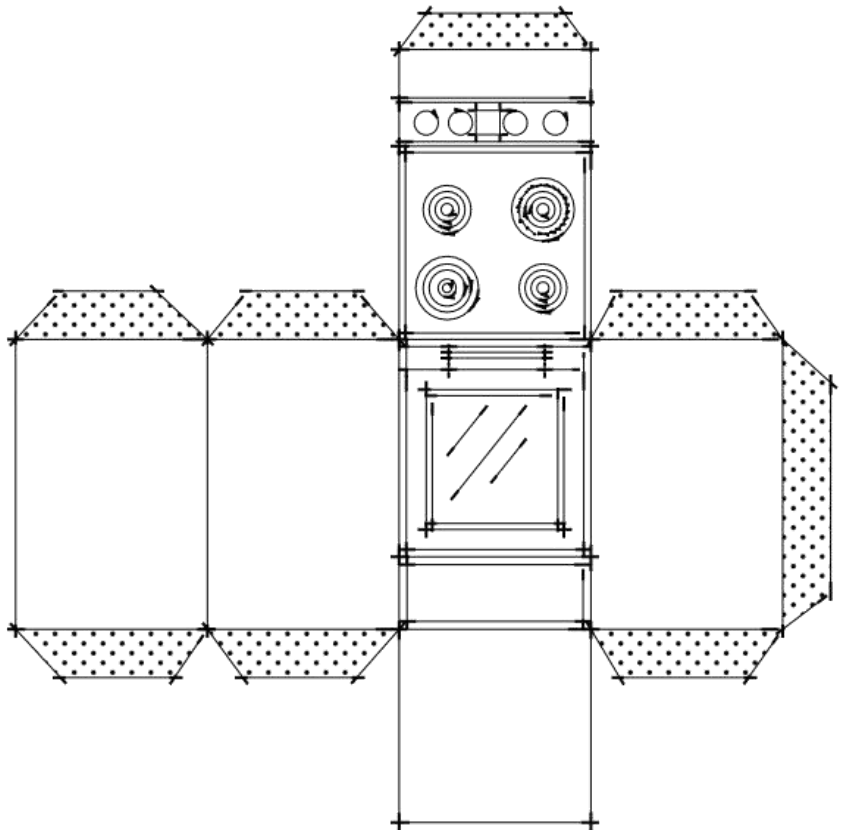
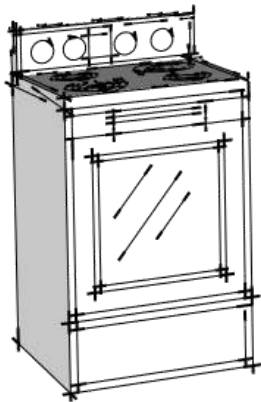
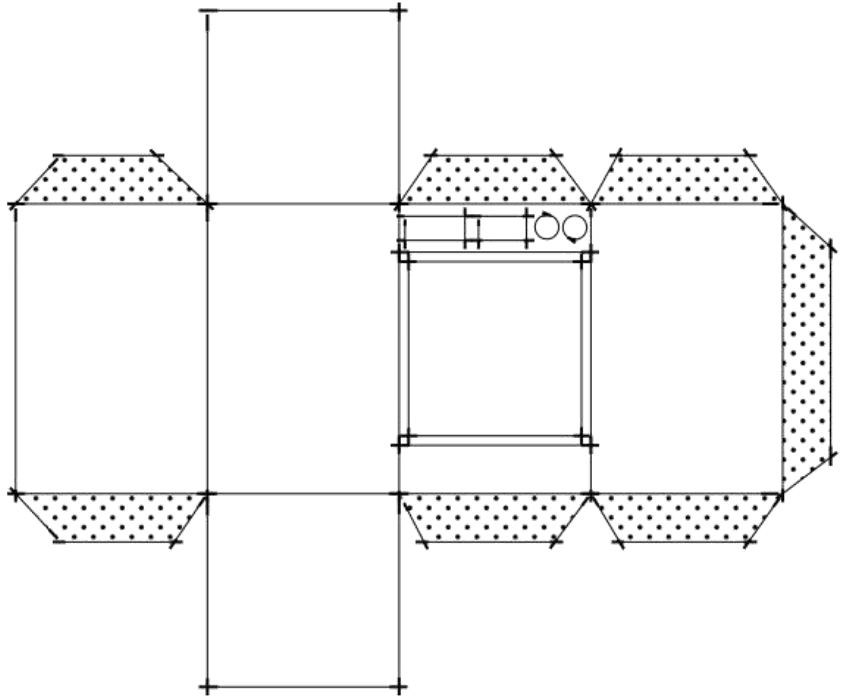
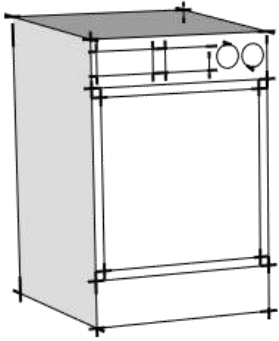
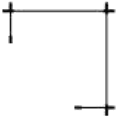
Appliances

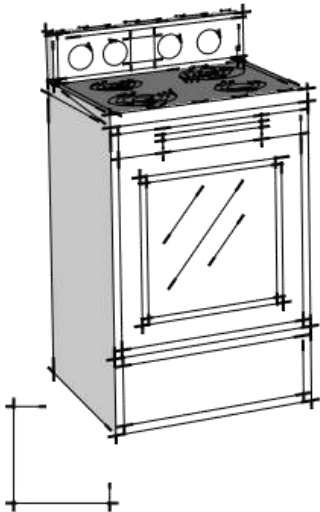
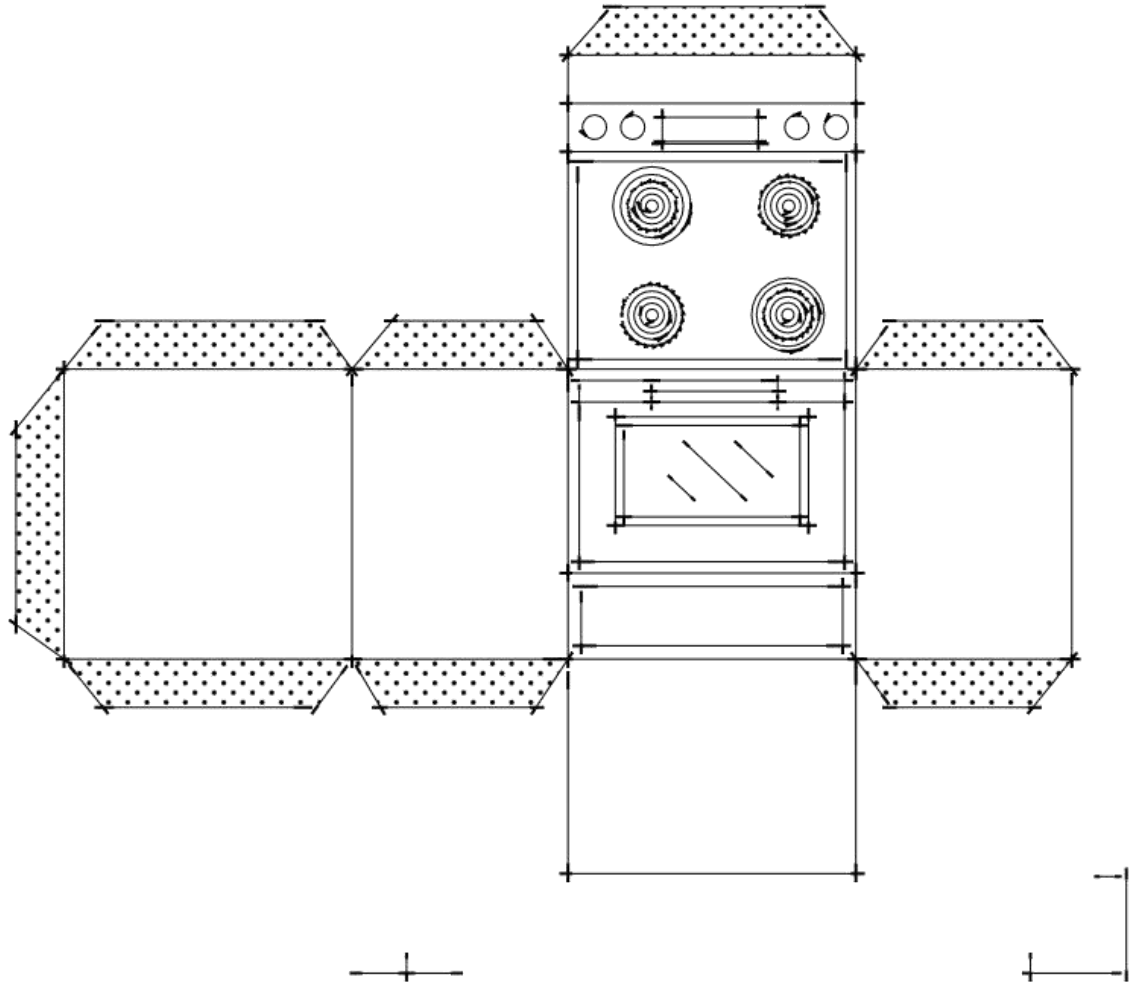
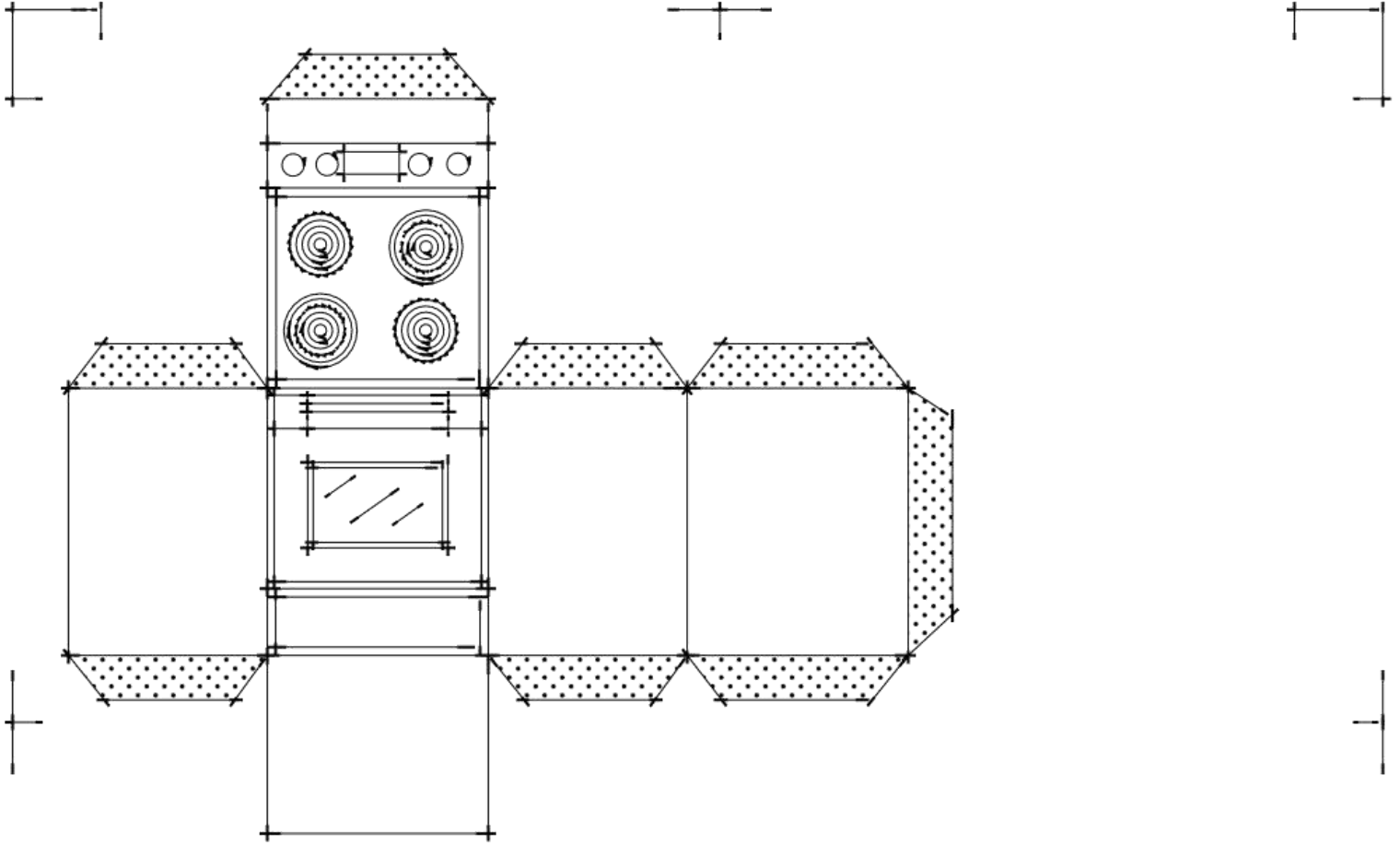
1. [Washer & Dryer](#)
2. [Dishwasher & 24" Stove](#)
3. [Stove 30" & 36"](#)
4. [Fridge 30" x 63" high](#)
5. [Fridge 33" x 70" high](#)





washer & dryer





stove 30" & 36"

